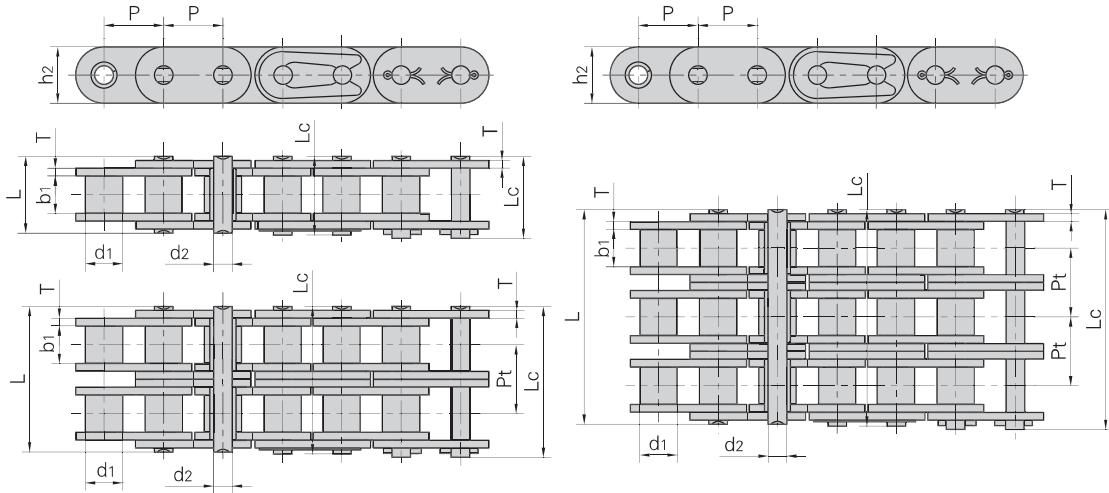


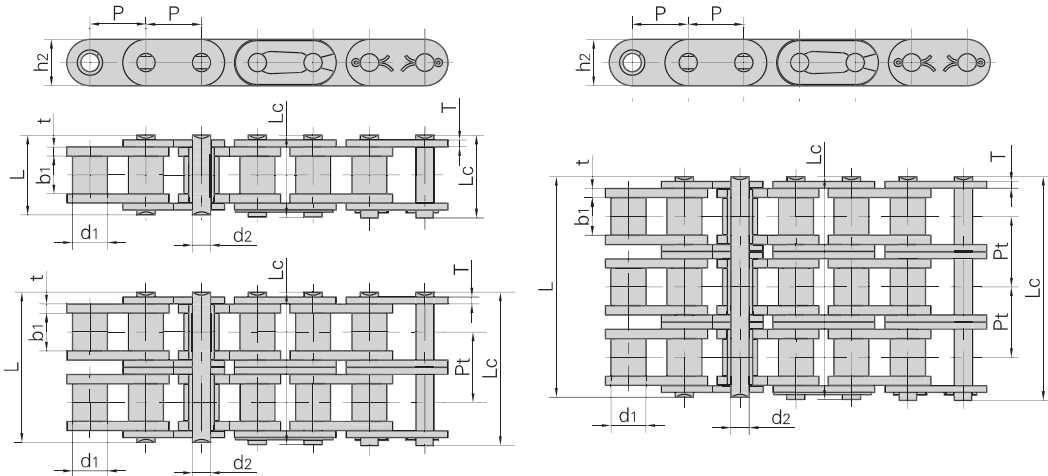
## Roller chains with straight side plates (A series)



DIN/ISO Chain No.	ANSI Chain No.	Pitch P mm	Roller diameter d1 max mm	Width between inner plates		Pin diameter		Pin length		Inner plate depth h2 max mm	Plate thickness T max mm	Transverse pitch Pt mm	Ultimate tensile strength Q min kN/LB	Average tensile strength Q0 kN	Weight per meter q kg/m
				b1 min mm	d2 max mm	L max mm	Lc max mm								
	*C35	9.525	5.08	4.77	3.58	13.3	14.3	9.00	1.30				7.9/1795	10.8	0.41
C08A-1	C40	12.700	7.95	7.85	3.96	16.6	18.8	12.00	1.50				14.1/3273	17.5	0.73
C10A-1	C50	15.875	10.16	9.40	5.08	20.7	23.3	15.09	2.03				22.2/5045	29.4	1.23
C12A-1	C60	19.050	11.91	12.57	5.94	25.9	28.3	18.0/18.2	2.42				31.8/7227	41.5	1.81/1.83
C16A-1	C80	25.400	15.88	15.75	7.92	32.7	36.5	24.00	3.25				56.7/12886	69.4	3.09
C20A-1	C100	31.750	19.05	18.90	9.53	40.4	44.7	30.00	4.00				88.5/20114	109.2	4.56
C24A-1	C120	38.100	22.23	25.22	11.10	50.3	54.3	35.70	4.80				127.0/28864	156.3	6.86
C28A-1	C140	44.450	25.40	25.22	12.70	54.4	59.0	41.00	5.60				172.4/39182	212.0	8.49
C32A-1	C160	50.800	28.58	31.55	14.27	64.8	69.6	47.80	6.40				226.8/51545	278.9	11.50
C08A-2	C40-2	12.700	7.95	7.85	3.96	31.0	33.2	12.00	1.50	14.38			28.2/6409	35.9	1.43
C10A-2	C50-2	15.875	10.16	9.40	5.08	38.9	41.4	15.09	2.03	18.11			44.4/10091	58.1	2.42
C12A-2	C60-2	19.050	11.91	12.57	5.94	48.8	51.1	18.0/18.2	2.42	22.78			63.6/14455	82.1	3.58/3.62
C16A-2	C80-2	25.400	15.88	15.75	7.92	62.7	65.8	24.00	3.25	29.29			113.4/25773	141.8	6.12
C20A-2	C100-2	31.750	19.05	18.90	9.53	76.4	80.5	30.00	4.00	35.76			177.0/40227	219.4	9.08
C24A-2	C120-2	38.100	22.23	25.22	11.10	95.8	99.7	35.70	4.80	45.44			254.0/57727	314.9	13.60
C28A-2	C140-2	44.450	25.40	25.22	12.70	103.3	107.9	41.00	5.60	48.87			344.8/78364	427.5	16.86
C32A-2	C160-2	50.800	28.58	31.55	14.27	123.3	128.1	47.80	6.40	58.55			453.6/103091	562.4	22.90
C08A-3	C40-3	12.700	7.95	7.85	3.96	45.4	47.6	12.00	1.50	14.38			42.3/9614	50.0	2.14
C10A-3	C50-3	15.875	10.16	9.40	5.08	57.0	59.5	15.09	2.03	18.11			66.6/15136	77.8	3.62
C12A-3	C60-3	19.050	11.91	12.57	5.94	71.5	73.9	18.0/18.2	2.42	22.78			95.4/21682	111.1	5.36/5.41
C16A-3	C80-3	25.400	15.88	15.75	7.92	91.7	95.1	24.00	3.25	29.29			170.1/38659	198.4	9.10
C20A-3	C100-3	31.750	19.05	18.90	9.53	112.2	116.3	30.00	4.00	35.76			265.5/60341	309.6	13.60
C24A-3	C120-3	38.100	22.23	25.22	11.10	141.4	145.2	35.70	4.80	45.44			381.0/86591	437.2	20.43
C28A-3	C140-3	44.450	25.40	25.22	12.70	152.2	156.8	41.00	5.60	48.87			517.2/117545	593.3	25.23
C32A-3	C160-3	50.800	28.58	31.55	14.27	181.8	186.6	47.80	6.40	58.55			680.4/154636	780.6	34.19

\*Bushing chain: d1 in the table indicate the external diameter of the bushing.

## Roller chains with straight side plates (B series)



DIN/ISO Chain No.	Pitch	Roller diameter	Width between inner plates	Pin diameter	Pin length		Inner plate depth	Plate thickness	Transverse pitch	Ultimate tensile strength	Average tensile strength	Weight per meter
	P	d1 max	b1 min	d2 max	L max	Lc max	h2 max	t/T max	Pt	Q min	Q0	q
	mm	mm	mm	mm	mm	mm	mm	mm	mm	kN/LB	kN	kg/m
C08B-1	12.700	8,51	7.75	4.45	16,7	18,2	11,8	1.60		18,0/4091	19,5	0,80
C10B-1	15.875	10.16	9.65	5.08	19.5	20.9	14.7	1.70		22.4/5091	27.9	1.06
C12B-1	19.050	12.07	11.68	5.72	22.5	25.2	16.0	1.85		29.0/6591	32.2	1.32
C16B-1	25.400	15.88	17.02	8.28	36.1	39.1	21.0/24.0	4.15/3.1		60.0/13636	72.8	3.08/3.49
C20B-1	31.750	19.05	19.56	10.19	41.3	45.0	26.4	4.5/3.5		95.0/21591	106.7	4.16
C24B-1	38.100	25.40	25.40	14.63	53.4	57.8	33.2	6.0/4.8		160.0/36364	178.0	7.47
C28B-1	44.450	27.94	30.99	15.90	65.1	69.5	36.7	7.5/6.0		200.0/45455	222.0	9.90
C32B-1	50.800	29.21	30.99	17.81	66.0	71.0	42.0	7.0/6.0		250.0/56818	277.5	10.45
C08B-2	12.700	8,51	7.75	4.45	31,2	32,2	11,8	1.60	13,92	32,0/7273	38,7	1,45
C10B-2	15.875	10.16	9.65	5.08	36.1	37.5	14.7	1.70	16.59	44.5/10114	57.8	2.00
C12B-2	19.050	12.07	11.68	5.72	42.0	44.7	16.0	1.85	19.46	57.8/13136	66.1	2.62
C16B-2	25.400	15.88	17.02	8.28	68.0	71.0	21.0/24.0	4.15/3.1	31.88	106.0/24091	133.0	6.10/6.92
C20B-2	31.750	19.05	19.56	10.19	77.8	81.5	26.4	4.5/3.5	36.45	170.0/38636	211.2	8.23
C24B-2	38.100	25.40	25.40	14.63	101.7	106.2	33.2	6.0/4.8	48,36	280.0/63636	319.2	14.77
C28B-2	44.450	27.94	30.99	15.90	124.6	129.1	36.7	7.5/6.0	59,56	360.0/81818	406.8	19.82
C32B-2	50.800	29.21	30.99	17.81	124.6	129.6	42.0	7.0/6.0	58,55	450.0/102273	508.5	20.94
C08B-3	12.700	8,51	7.75	4.45	45,1	46,1	11,8	1.60	13,92	47,5/10795	57,8	2,10
C10B-3	15.875	10.16	9.65	5.08	52.7	54.1	14.7	1.70	16.59	66.7/15159	84.5	2.87
C12B-3	19.050	12.07	11.68	5.72	61.5	64.2	16.0	1.85	19.46	86.7/19705	101.8	3.89
C16B-3	25.400	15.88	17.02	8.28	99.8	102.9	21.0/24.0	4.15/3.1	31.88	160.0/36364	203.7	9.12/10.34
C20B-3	31.750	19.05	19.56	10.19	114.2	117.9	26.4	4.5/3.5	36.45	250.0/56818	290.0	11.34
C24B-3	38.100	25.40	25.40	14.63	150.1	154.6	33.2	6.0/4.8	48,36	425.0/96591	493.0	22.10
C28B-3	44.450	27.94	30.99	15.90	184.2	188.7	36.7	7.5/6.0	59,56	530.0/120454	609.5	29,64
C32B-3	50.800	29.21	30.99	17.81	183.2	188.2	42.0	7.0/6.0	58,55	670.0/152273	770.5	31.27

CONVEYOR CHAINS