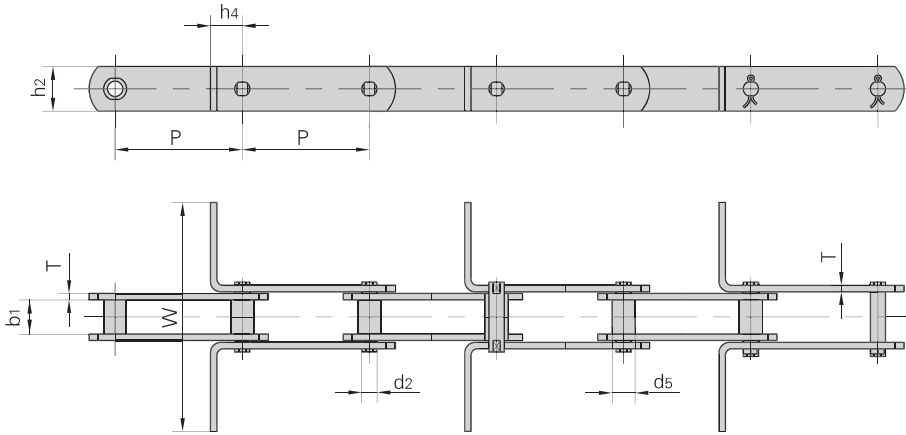


Scraper conveyor chains

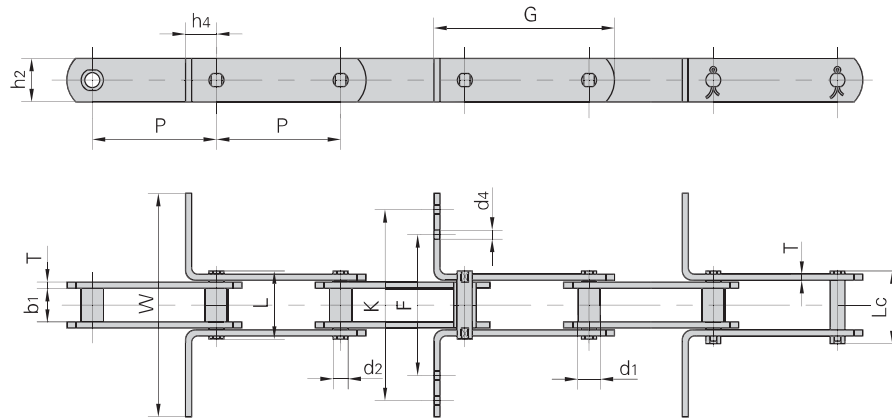


Donghua Chain No.	Pitch		Width between inner plates	Pin diameter	Bush diameter	Plate depth	Plate thickness	Attachment dimension		Ultimate tensile strength
	P							h ₄	W	
	mm	mm	mm	mm	mm	mm	mm	mm	kN/LB	
MR56	100	125	24.0	10.0	15.0	30.0	4.0	20.0	•	56.0/12727
MR80	100	125 160	28.0	12.0	18.0	35.0	5.0	25.0	•	80.0/18182
MR112	100	125 160	32.0	15.0	21.0	40.0	6.0	35.0	•	112.0/25454
MR160	100	125 160	37.0	18.0	25.0	50.0	7.0	40.0	•	160.0/36364
MR224	125	160 200	43.0	21.0	30.0	60.0	8.0	44.0	•	224.0/50909
MR315	160	200 250	48.0	25.0	36.0	70.0	10.0	50.0	•	315.0/71591

Donghua Chain No.	Pitch		Width between inner plates	Pin diameter	Bush diameter	Plate depth	Plate thickness	Attachment dimension		Ultimate tensile strength
	P							h ₄	W	
	mm	mm	mm	mm	mm	mm	mm	mm	kN/LB	
FVR40	80	100 125	18.0	10.0	15.0	25.0	3.0	20.0	•	42.0/9545
FVR63	100	125 160	22.0	12.0	18.0	30.0	4.0	25.0	•	64.0/14545
FVR90	100	125 160	25.0	14.0	20.0	35.0	5.0	30.0	•	100.0/22727
FVR112	100	125 160	30.0	16.0	22.0	40.0	6.0	35.0	•	120.0/27272
FVR140	125	160 200	35.0	18.0	26.0	45.0	6.0	38.0	•	145.0/32954
FVR180	125	160 200	45.0	20.0	30.0	50.0	8.0	44.0	•	190.0/43181
FVR250	160	200 250	55.0	26.0	36.0	60.0	8.0	50.0	•	275.0/62499

● dimensions are our table upon customer

Scraper conveyor chains



Donghua Chain No.	Pitch	Bush diameter	Width between inner plates	Pin diameter	Pin length		Ultimate tensile strength	Average tensile strength	Weight per meter
	P mm	d1 max mm	b1 min mm	d2 max mm	L max mm	Lc max mm	Q min kN/LB	Q0 kN	q kg/m
M80-P100F1	100.0	18.0	28.00	12.00	55.0	58.5	80.0/18162	88.0	5.19
M180-P-100	100.0	26.0	28.85	18.00	62.5		180.0/40909	198.0	10.25
M310-P-125	125.0	40.0*	52.00	20.00	103.4	109.4	303.8/69045	334.0	19.88
M310F1-P-125	125.0	40.0*	52.00	20.00	103.4	109.4	303.8/69045	334.0	24.88
M310F1-P-150	150.0	40.0*	52.00	20.00	103.4	109.4	303.8/69045	334.0	19.13
FVR90F1-B-125	125.0	20.0	25.00	14.00	52.0	56.4	150.0/33743	165.0	6.16
P100F16	100.0	23.0	28.00	16.00	66.0		115.0/26136	127.0	6.60
P101.6	101.6	44.5	50.80	23.84	136.5		600.0/136362	660.0	34.96
P125F3	125.0	25.0	36.00	18.00	82.0		220.0/49999	242.0	11.17
P125F4	125.0	25.0	36.00	18.00	82.0		220.0/49999	242.0	9.83
P160F12	160.0	50.0*	34.00	20.00	77.8		160.0/35993	176.0	10.30

Donghua Chain No.	G	F	W	K	h4	h2	d4	T
	mm	mm	mm	mm	mm	mm	mm	mm
M80-P100F1	145.5		180.0		25.0	35.0		5.0
M180-P-100	163.0		185.0		35.0	50.0		6.0
M310-P-125	195.0		270.0		35.0	55.0		10.0
M310F1-P-125	195.0		560.0		35.0	55.0		10.0
M310F1-P-150	220.0		350.0		40.0	50.0		10.0
FVR90F1-B-125	175.0	90.0	290.0	270.0	30.0	40.0	9.0	5.0
P100F16	143.0	91.8	180.0	159.8	25.0	36.0	6.5	6.0
P101.6	198.6		206.5		62.0	60.0		14.5
P125F3	190.0	139.5	290.0	259.5	35.0	51.0	8.5	6.0
P125F4	190.0	119.5	220.0	191.5	35.0	51.0	8.5	6.0
P160F12	230.0		214.5		40.0	50.0		6.0

*Indicate the external diameter of roller