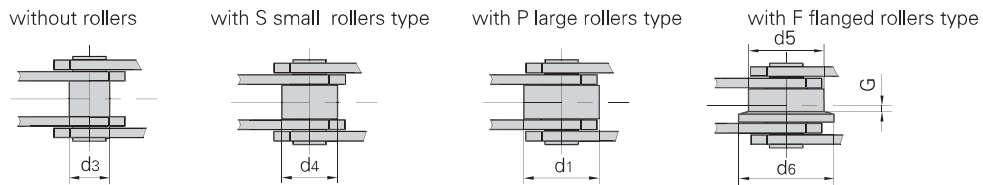
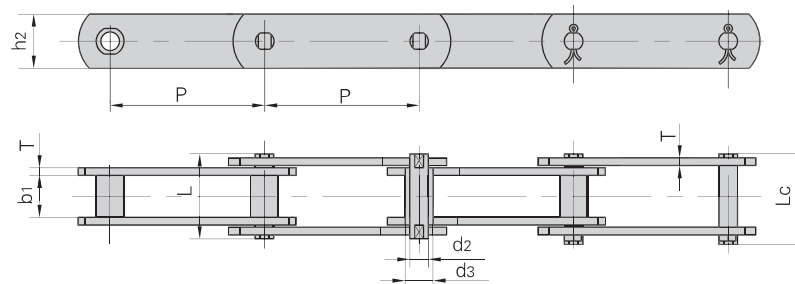


Conveyor chains (FV series)

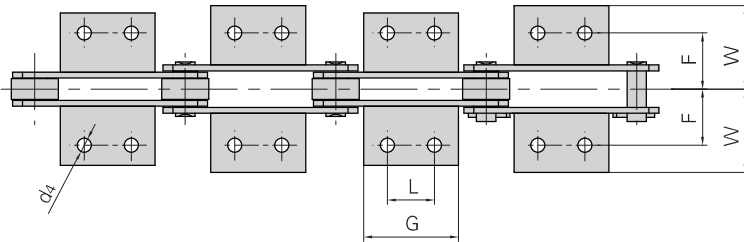
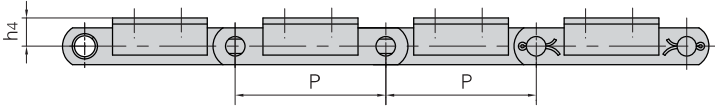


DIN Chain No.	Pitch							Roller dimension					Bush diameter
	P							d1 max	d4 max	d5 max	d6 max	G	d3 max
	mm	mm	mm	mm	mm	mm	mm	mm	mm	mm	mm	mm	
FV40	50.0	63.0	80.0	100.0	125.0			32.0	20.0	40.0	50.0	4.0	15.0
FV63	63.0	80.0	100.0	125.0	160.0			40.0	26.0	50.0	63.0	5.0	18.0
FV90	63.0	80.0	100.0	125.0	160.0	200.0	250.0	48.0	30.0	63.0	78.0	6.5	20.0
FV112	100.0	125.0	160.0	200.0	250.0			55.0	32.0	72.0	90.0	7.5	22.0
FV140	100.0	125.0	160.0	200.0	250.0			60.0	36.0	80.0	100.0	9.0	26.0
FV180	125.0	160.0	200.0	250.0	315.0			70.0	42.0	100.0	125.0	13.0	30.0
FV250	160.0	200.0	250.0	315.0	400.0			80.0	50.0	125.0	155.0	15.0	36.0
FV315	160.0	200.0	250.0	315.0	400.0			90.0	60.0	140.0	175.0	18.0	42.0

DIN Chain No.	Width between inner plates	pin diameter	Pin length		Plate depth	Plate thickness	Ultimate tensile strength	
	b1 min	d2 max	L min	Lc max	h2 max	T max	Q min	*Q min
	mm	mm	mm	mm	mm	mm	kN/LB	kN/LB
FV40	18.0	10.0	36.0	39.0	25.0	3.0	40.0/9091	47.0/10681
FV63	22.0	12.0	45.0	48.5	30.0	4.0	63.0/14317	75.0/17045
FV90	25.0	14.0	53.0	56.5	35.0	5.0	90.0/20453	115.0/26136
FV112	30.0	16.0	62.0	66.0	40.0	6.0	112.0/25452	170.0/38636
FV140	35.0	18.0	67.0	71.5	45.0	6.0	140.0/31815	180.0/40908
FV180	45.0	20.0	86.0	92.0	50.0	8.0	180.0/40908	250.0/56817
FV250	55.0	26.0	97.0	103.5	60.0	8.0	250.0/56817	300.0/68181
FV315	65.0	30.0	113.0	126.5	70.0	10.0	315.0/71591	480.0/109089

*Q Higher breaking load with hardened plates

Conveyor chain with attachments(FV series)

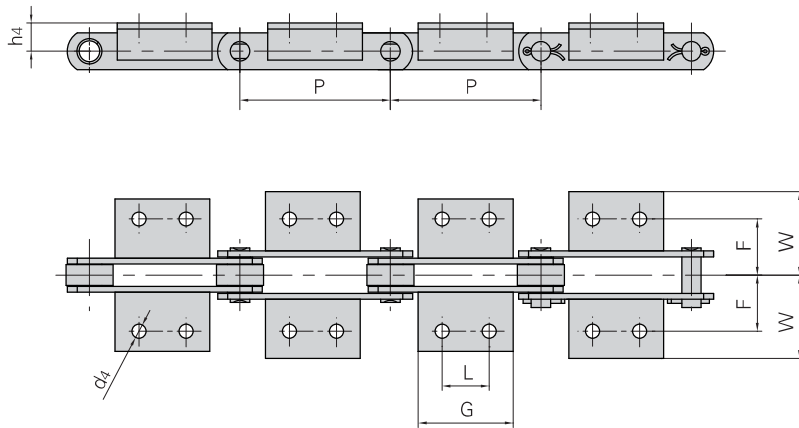


CONVEYOR CHAINS

DIN Chain No.	P	L	G	d4	F	W	h4
	mm	mm	mm	mm	mm	mm	mm
FV40	50.0	△	45.0	6.5	25.0	40.5	20.0
	63.0	△	31.0				
	80.0	25.0	45.0				
	100.0	30.0	50.0				
	125.0	30.0	60.0				
FV63	63.0	△	40.0	8.4	34.0	50.0	30.0
	80.0	25.0	45.0				
	100.0	30.0	50.0				
	125.0	40.0	60.0				
	160.0	50.0	70.0				
FV90	63.0	△	30.0	8.4	40.0	64.0	35.0
	80.0	25.0	45.0				
	100.0	30.0	50.0				
	125.0	40.0	60.0				
	160.0	50.0	70.0				
	250.0	65.0	85.0				
FV112	100.0	30.0	50.0	11.0	50.0	70.0	40.0
	125.0	40.0	65.0				
	160.0	50.0	75.0				
	200.0	65.0	90.0				
	250.0	80.0	105.0				

△Attachments with 1 hole

Conveyor chain with attachments(FV series)



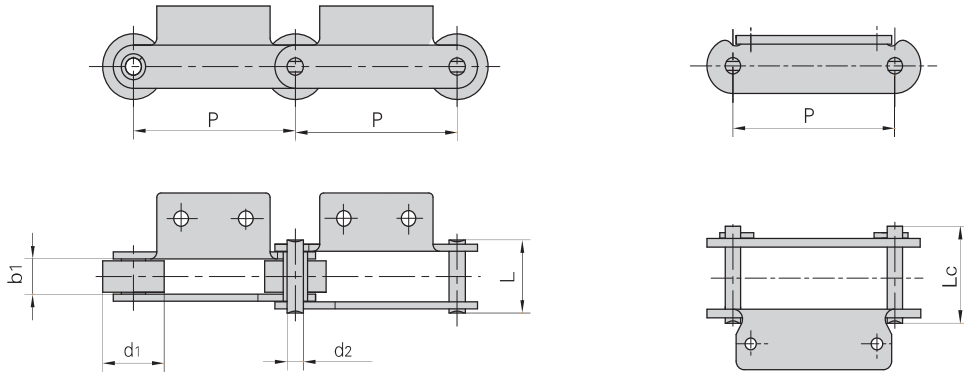
CONVEYOR CHAINS

DIN Chain No.	P	L	G	d4	F	W	h4
	mm	mm	mm	mm	mm	mm	mm
FV140	100.0	30.0	55.0	11.0	50.0	81.0	45.0
	125.0	40.0	65.0				
	160.0	50.0	75.0				
	200.0	65.0	90.0				
	250.0	80.0	105.0				
FV180	125.0	35.0	63.0	13.0	64.0	91.0	45.0
	160.0	50.0	80.0				
	200.0	65.0	95.0				
	250.0	80.0	110.0				
	315.0	100.0	130.0				
FV250	160.0	50.0	80.0	14.0	69.0	106.0	55.0
	200.0	65.0	95.0				
	250.0	80.0	110.0				
	315.0	100.0	130.0				
	400.0	100.0	130.0				
FV315	160.0	△	50.0	14.0	85.0	130.0	60.0
	200.0	65.0	95.0				
	250.0	80.0	110.0				
	315.0	100.0	130.0				
	400.0	100.0	130.0				

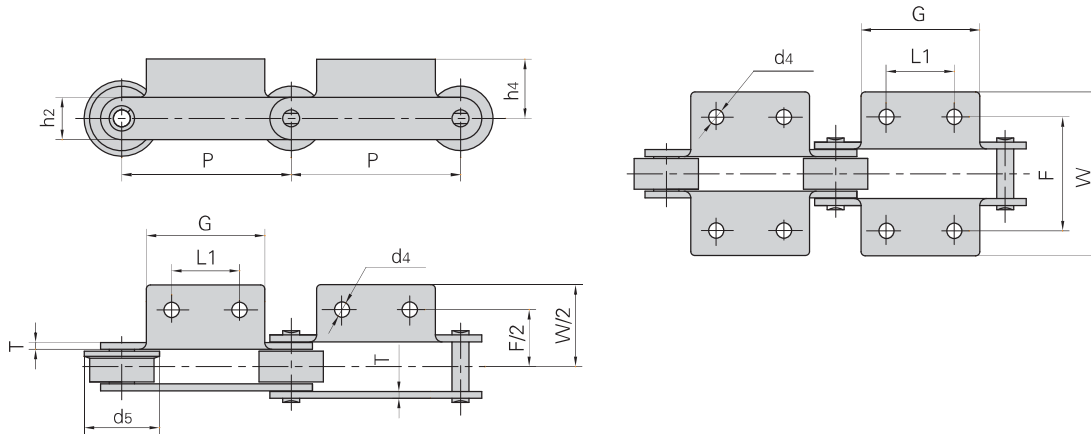
△Attachments with 1 hole

Conveyor chain with attachments(FV series)

CONVEYOR CHAINS



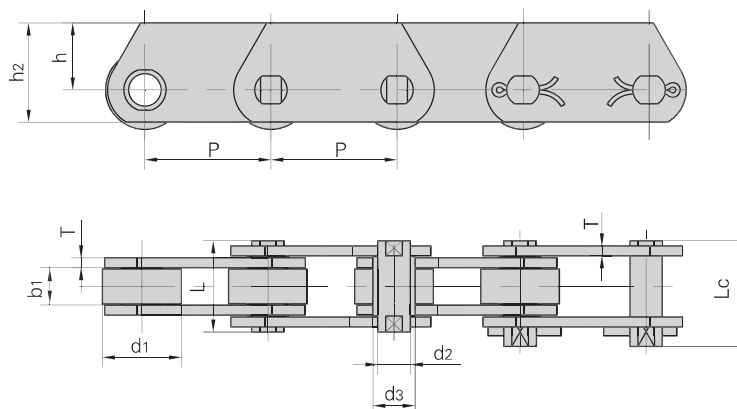
Donghua Chain No.	Pitch	Roller diameter	Width between inner plates	Pin diameter	Pin length		Ultimate tensile strength	Average tensile strength	Weight per meter
	P	d1 max	b1 min	d2 max	L max	Lc max	Q min	Q0	q
	mm	mm	mm	mm	mm	mm	kN/LB	kN	kg/m
FV90A2F1-P-85	85.00	50.00	25.00	14.00	52.0	56.5	90.0/20250	100.0	10.15
FV90A2F1-P-100	100.00	50.00	25.00	14.00	52.0	56.5	90.0/20250	100.0	8.74
FV112F1A1-P-100	100.00	55.00	30.00	16.00	71.0	76.5	180.0/40492	200.0	14.30
FV112F1A1-P-80	80.00	55.00	30.00	16.00	71.0	76.5	180.0/40492	200.0	16.60



Donghua Chain No.	P	L1	G	F	W	h4	h2	d4	T
	mm	mm	mm	mm	mm	mm	mm	mm	mm
FV90A2F1-P-85	85.00	40.00	60.00	80.0	109.2	40.0	35.0	9.5	5.00
FV90A2F1-P-100	100.00	40.00	60.00	80.0	109.2	40.0	35.0	9.5	5.00
FV112F1A1-P-100	100.00	△	50.00	120.0	164.0	50.0	40.0	15.0	8.00
FV112F1A1-P-80	80.00	△	50.00	120.0	164.0	50.0	40.0	15.0	8.00

△ Attachments with 1 hole

Conveyor chains (FVT series)



CONVEYOR CHAINS

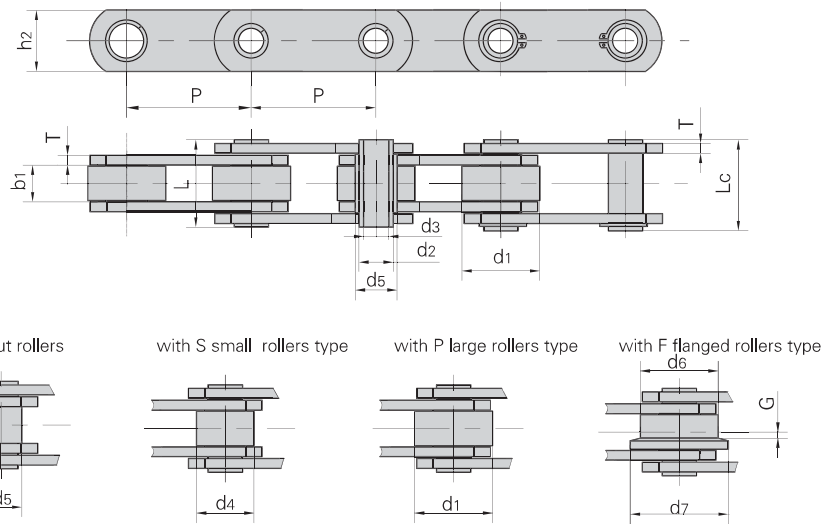
DIN Chain No.	Pitch						Roller diameter	Pin diameter	Bush diameter	Plate thickness	
	P										
	mm										
FVT40	50.0	63.0	80.0	100.0	125.0		32.0	10.0	15.0	3.0	
FVT63	63.0	80.0	100.0	125.0	160.0		40.0	12.0	18.0	4.0	
FVT90	63.0	80.0	100.0	125.0	160.0	200.0	250.0	48.0	14.0	20.0	5.0
FVT112	100.0	125.0	160.0	200.0	250.0		55.0	16.0	22.0	6.0	
FVT140	100.0	125.0	160.0	200.0	250.0		60.0	18.0	25.0	6.0	
FVT180	125.0	160.0	200.0	250.0	315.0		70.0	20.0	30.0	8.0	
FVT250	160.0	200.0	250.0	315.0			80.0	26.0	36.0	8.0	
FVT315	160.0	200.0	250.0	315.0	400.0		90.0	30.0	42.0	10.0	

DIN Chain No.	Width between inner plates	Pin length		Plate depth		Ultimate tensile strength	
	b1 min mm	L max mm	Lc max mm	h2 max mm	h max mm	Q min kN/LB	*Q min kN/LB
FVT40	18.0	36.0	39.0	35.0	22.5	40.0/9091	47.0/10681
FVT63	22.0	45.0	48.5	40.0	25.0	63.0/14317	75.0/17045
FVT90	25.0	53.0	56.5	45.0	27.5	90.0/20453	115.0/26136
FVT112	30.0	62.0	66.0	50.0	30.0	112.0/25452	170.0/38636
FVT140	35.0	67.0	71.5	60.0	37.5	140.0/31815	180.0/40908
FVT180	45.0	86.0	92.0	70.0	45.0	180.0/40908	250.0/56817
FVT250	55.0	97.0	103.5	80.0	50.0	250.0/56817	300.0/68181
FVT315	65.0	113.0	126.5	90.0	55.0	315.0/71591	480.0/109089

* Q Higher breaking load with hardened plates

Hollow pin conveyor chains (FVC series)

CONVEYOR CHAINS



DIN Chain No.	Pitch							Roller dimension				
	P							d1 max	d4 max	d6 max	d7 max	G
	mm	mm	mm	mm	mm	mm	mm	mm	mm	mm	mm	
FVC63	63.0	80.0	100.0	125.0	160.0			40.0	26.0	50.0	63.0	5.0
FVC90	63.0	80.0	100.0	125.0	160.0	200.0	250.0	48.0	30.0	63.0	78.0	6.5
FVC112	100.0	125.0	160.0	200.0	250.0			55.0	32.0	72.0	90.0	7.5
FVC140	100.0	125.0	160.0	200.0	250.0			60.0	36.0	80.0	100.0	9.0
FVC180	125.0	160.0	200.0	250.0	315.0			70.0	42.0	100.0	125.0	13.0
FVC250	160.0	200.0	250.0	315.0	400.0			80.0	50.0	125.0	155.0	15.0
FVC315	160.0	200.0	250.0	315.0	400.0			90.0	60.0	140.0	175.0	18.0

DIN Chain No.	Width between inner plates	Pin diameter			Bush diameter	Pin length		Plate thickness	Plate depth	Ultimate tensile strength
	b1 min	d2 max	d3 min	d5 max	L max	Lc max	T max	h2 max	Q min	
	mm	mm	mm	mm	mm	mm	mm	mm	kN/LB	
FVC63	22.0	12.0	8.0	18.0	45.0	50.5	4.0	30.0	46.0/10454	
FVC90	25.0	14.0	10.0	20.0	53.0	56.5	5.0	35.0	73.0/16590	
FVC112	30.0	16.0	11.0	22.0	62.0	63.0	6.0	40.0	90.0/20454	
FVC140	35.0	18.0	12.0	26.0	67.0	68.5	6.0	45.0	110.0/25000	
FVC180	45.0	20.0	14.0	30.0	86.0	88.0	8.0	50.0	145.0/32954	
FVC250	55.0	26.0	18.0	36.0	97.0	103.5	8.0	60.0	215.0/48863	
FVC315	65.0	30.0	20.0	42.0	117.0	121.5	10.0	70.0	295.0/67044	