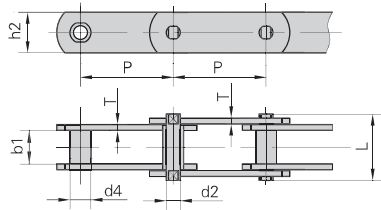
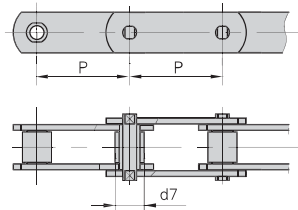


Conveyor chains (M series)

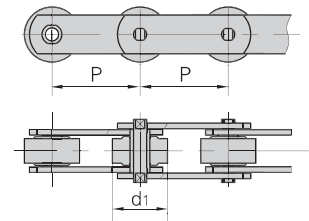
1.without rollers



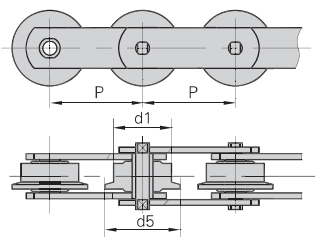
2.with S small rollers type



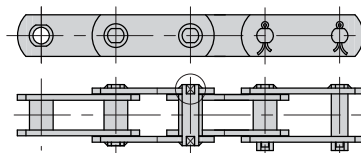
3.with P large rollers type



4.with F flanged rollers type



5.Welded pins with plates



ISO Chain No.	Pitch								Roller diameter			Bush diameter
	P								d1 max	d7 max	d5 max	d4 max
	mm								mm	mm	mm	mm
M20	*40.0	50.0	63.0	80.0	100.0	125.0	160.0		25.0	12.50	32.00	9.0
M28	*50.0	63.0	80.0	100.0	125.0	160.0	200.0		30.0	15.00	36.00	10.0
M40	63.0	80.0	100.0	125.0	160.0	200.0	250.0		36.0	18.00	42.00	12.5
M56	*63.0	80.0	100.0	125.0	160.0	200.0	250.0		42.0	21.00	50.00	15.0
M80	80.0	100.0	125.0	160.0	200.0	250.0	315.0		50.0	25.00	60.00	18.0
M112	*80.0	100.0	125.0	160.0	200.0	250.0	315.0	400.0	60.0	30.00	70.00	21.0
M160	*100.0	125.0	160.0	200.0	250.0	315.0	400.0	500.0	70.0	36.00	85.00	25.0
M224	*125.0	160.0	200.0	250.0	315.0	400.0	500.0	630.0	85.0	42.00	100.00	30.0
M315	*160.0	200.0	250.0	315.0	400.0	500.0	630.0		100.0	50.00	120.00	36.0
M450	200.0	250.0	315.0	400.0	500.0	630.0	800.0		120.0	60.00	140.00	42.0

ISO Chain No.	Width between inner plates	Pin diameter	Pin length	Plate depth	Plate thickness	Ultimate tensile strength	Average tensile strength
	b1 min	d2 max	L max	h2 max	T max	Q min	Q0
	mm	mm	mm	mm	mm	kN/LB	kN
M20	16.0	6.0	35.0	19.0	2.5	20.0/4545	25.0
M28	18.0	7.0	40.0	21.0	3.0	28.0/6364	35.0
M40	20.0	8.5	45.0	26.0	3.5	40.0/9091	50.0
M56	24.0	10.0	52.0	31.0	4.0	56.0/12727	70.0
M80	28.0	12.0	62.0	36.0	5.0	80.0/18182	100.0
M112	32.0	15.0	73.0	41.0	6.0	112.0/25454	140.0
M160	37.0	18.0	85.0	51.0	7.0	160.0/36364	200.0
M224	43.0	21.0	98.0	62.0	8.0	224.0/50909	280.0
M315	48.0	25.0	112.0	72.0	10.0	315.0/71591	393.7
M450	56.0	30.0	135.0	82.0	12.0	450.0/102272	562.5

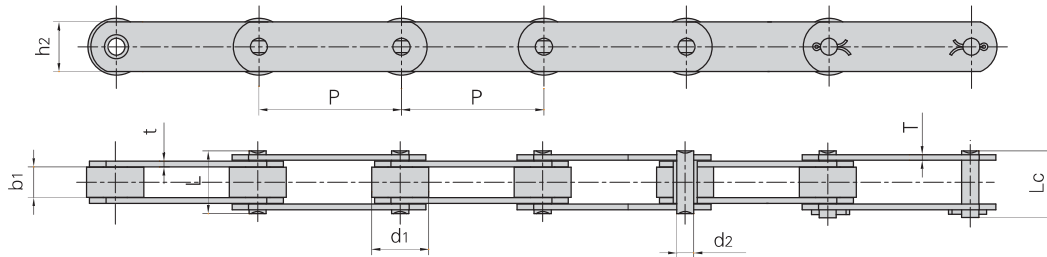
*Chain has bush and small roller only

Conveyor chains (M series)

DIN Chain No.	Pitch							Roller diameter			Bush diameter
	P							d1 max	d7 max	d5 max	d4 max
	mm							mm	mm	mm	mm
M20	40.0	50.0	63.0	80.0	100.0	125.0	160.0	25.0	12.50	30.00	9.0
M28	50.0	63.0	80.0	100.0	125.0	160.0	200.0	30.0	15.00	36.00	10.0
M40	63.0	80.0	100.0	125.0	160.0	200.0	250.0	36.0	18.00	42.00	12.5
M56	63.0	80.0	100.0	125.0	160.0	200.0	250.0	42.0	21.00	50.00	15.0
M80	80.0	100.0	125.0	160.0	200.0	250.0	315.0	50.0	25.00	60.00	18.0
M112	80.0	100.0	125.0	160.0	200.0	250.0	315.0	60.0	30.00	70.00	21.0
M160	100.0	125.0	160.0	200.0	250.0	315.0	400.0	70.0	36.00	85.00	25.0
M224	125.0	160.0	200.0	250.0	315.0	400.0	500.0	85.0	42.00	100.00	30.0
M315	160.0	200.0	250.0	315.0	400.0	500.0	630.0	100.0	50.00	120.00	36.0
M450	200.0	250.0	315.0	400.0	500.0	630.0	800.0	120.0	60.00	140.00	42.0

DIN Chain No.	Width between inner plates	Pin diameter	Pin length	Plate depth	Plate thickness	Ultimate tensile strength	Average tensile strength
	b1 min	d2 max	L max	h2 max	T max	Q min	Q0
	mm	mm	mm	mm	mm	kN/LB	kN
M20	16.0	6.0	35.0	18.0	2.5	20.0/4545	25.0
M28	18.0	7.0	40.0	20.0	3.0	28.0/6364	35.0
M40	20.0	8.5	45.0	25.0	3.5	40.0/9091	50.0
M56	24.0	10.0	52.0	30.0	4.0	56.0/12727	70.0
M80	28.0	12.0	62.0	35.0	5.0	80.0/18182	100.0
M112	32.0	15.0	73.0	40.0	6.0	112.0/25454	140.0
M160	37.0	18.0	85.0	50.0	7.0	160.0/36364	200.0
M224	43.0	21.0	98.0	60.0	8.0	224.0/50909	280.0
M315	48.0	25.0	112.0	70.0	10.0	315.0/71591	393.7
M450	56.0	30.0	135.0	80.0	12.0	450.0/102272	562.5

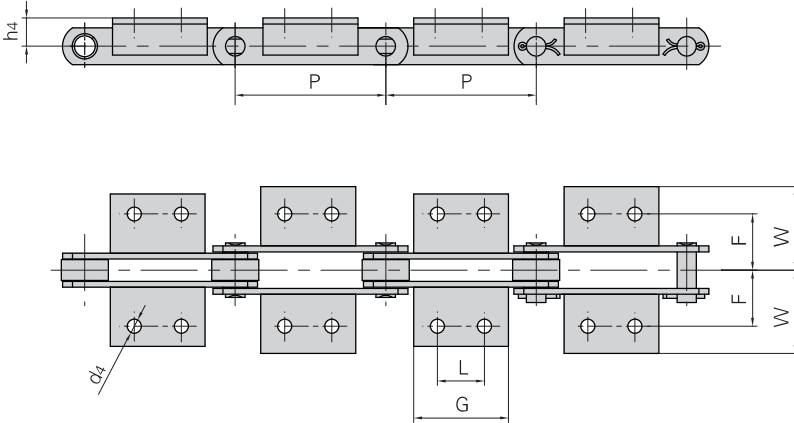
Conveyor chains (M series)



Donghua Chain No.	Pitch	Roller diameter	Width between inner plates	Pin diameter	Pin length		Inner plate depth	Plate thickness	Ultimate tensile strength	Average tensile strength	Weight per meter
	P	d1 max	b1 min	d2 max	L max	Lc max	h2 max	t / T max	Q min	Q0	q
	mm	mm	mm	mm	mm	mm	mm	mm	kN/LB	kN	kg/m
M18F1-P-50	50.00	25.00	11.50	5.72	26.0	28.2	18.0	2.5	18.0/4050	20.0	1.81
M22-P-50	50.00	25.00	11.50	8.00	28.0	30.9	20.0	3.0	22.0/4950	24.2	2.64
M22F1-P-50	50.00	25.00	12.00	10.00	29.4	32.6	20.0	3.0	22.0/4950	24.2	2.30
M35F2-S-35	35.00	14.00	14.00	7.00	31.0	34.0	18.0	3.5/2.5	35.0/7874	39.0	1.82
M35F2-P-35	35.00	22.00	14.00	7.00	31.0	34.0	18.0	3.5/2.5	35.0/7874	39.0	2.47
*M35F3-B-35	35.00	14.00	14.00	6.00	30.2	33.0	18.0	3.0	35.0/7874	39.0	1.73
M35F4-C-69	69.00	25.00	12.00	7.00	27.5	30.0	19.0	2.5	35.0/7874	39.0	1.60
M35F5-P-50.8	50.80	25.00	16.00	7.00	33.0	36.0	20.0	3.0	35.0/7874	39.0	2.48
M40-PF1-100	100.00	36.00	20.00	8.50	40.5	44.5	25.0	3.5	40.0/9000	44.0	3.28
M40F4-P-50	50.00	31.75	15.00	10.00	36.6	39.0	25.0	4.0	40.0/9000	44.0	4.00
M40F5-S-65	65.00	24.00	15.00	10.00	36.6	39.0	30.0	4.0	40.0/9000	44.0	4.86
M40F6-P-80	80.00	36.00	20.00	8.50	41.0	44.2	25.0	4.0	40.0/9000	44.0	3.68
M56F14-S-63	63.00	21.00	24.00	10.00	46.0	49.5	30.0	4.0	56.0/12600	61.6	3.81
M56F14-S-80	80.00	21.00	24.00	10.00	46.0	49.5	30.0	4.0	56.0/12600	61.6	3.27
M56F14-P-100	100.00	42.00	24.00	10.00	46.0	49.5	30.0	4.0	56.0/12600	61.6	5.00
M75-P-75	75.00	40.00	22.00	12.00	44.0	47.0	35.0	4.0	75.0/16870	75.0	5.88
M80F3-P-125	125.00	50.00	28.00	11.00	55.0	58.5	35.0	5.0	80.0/18000	88.0	6.72
M80F4-A-100	100.00	25.00	28.00	12.00	55.0	58.5	35.0	5.0	80.0/18000	88.0	4.63
M80F6-P-75	75.00	35.00	14.00	12.00	40.5	45.0	30.0	5.0	80.0/18000	88.0	4.80
*M80F8-B-100	100.00	18.00	28.00	12.00	55.0	58.5	35.0	5.0	80.0/18000	88.0	4.14
*M80F8-B-80	80.00	18.00	28.00	12.00	55.0	58.5	35.0	5.0	80.0/18000	88.0	4.48
M100-P-80	80.00	47.50	31.40	15.90	71.2	76.0	40.0	8.0	100.0/22727	110.0	12.36
M112F2-P-125	125.00	55.00	50.00	16.00	87.1	91.6	40.0	7.2	112.0/25200	123.2	13.35
*M112F6-B-100	100.00	21.00									6.14
*M112F6-B-125	125.00	21.00	32.00	15.00	64.0	68.3	40.0	6.0	112.0/25200	123.2	5.46
M112F6-P-125	125.00	60.00									10.33
M112F7-P-125	125.00	30.0	32.00	15.00	64.0	68.3	40.0	6.0	112.0/25200	123.2	6.39
M112F8-S-100	100.00	30.0	31.00	15.00	63.5	68.0	40.0	6.0	112.0/25200	123.2	7.14
M160F1-P-100	100.00	36.00	36.00	18.00	76.0	80.0	40.0	7.0	160.0/36364	176.0	9.42
M224F3-P-160	160.00	80.00	30.00	21.00	81.0		60.0	8.0	224.0/50909	246.0	17.34
*M315F6-B-160	160.00	42.00	80.00	25.00	140.0	140.0	80.0	12.0	315.0/70862	346.5	27.30

*Bushing chain: d1 in the table indicate the external diameter of the bushing.

Conveyor chain with attachments (M series)

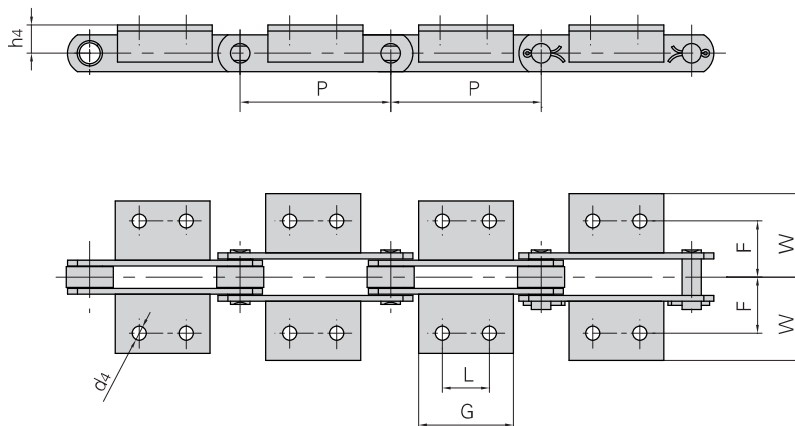


CONVEYOR CHAINS

ISO Chain No.	P mm	L mm	G mm	d4 mm	F mm	W mm	h4 mm
M20	40.0	△	14.0	6.6	27.0	40.0	16.0
	50.0	△	14.0				
	63.0	20.0	35.0				
	80.0	35.0	50.0				
M28	50.0	△	20.0	9.0	32.0	47.0	20.0
	63.0	△	20.0				
	80.0	25.0	45.0				
	100.0	40.0	60.0				
M40	63.0	△	31.0	9.0	35.0	50.0	25.0
	80.0	20.0	45.0				
	100.0	40.0	60.0				
	125.0	65.0	85.0				
M56	63.0	△	22.0	11.0	44.0	61.0	30.0
	80.0	△	30.0				
	100.0	25.0	50.0				
	125.0	50.0	75.0				
	160.0	85.0	110.0				
M80	80.0	△	30.0	11.0	48.0	65.0	35.0
	100.0	25.0	50.0				
	125.0	50.0	75.0				
	160.0	85.0	110.0				
	200.0	125.0	150.0				

△Attachments with 1 hole

Conveyor chain with attachments (M series)

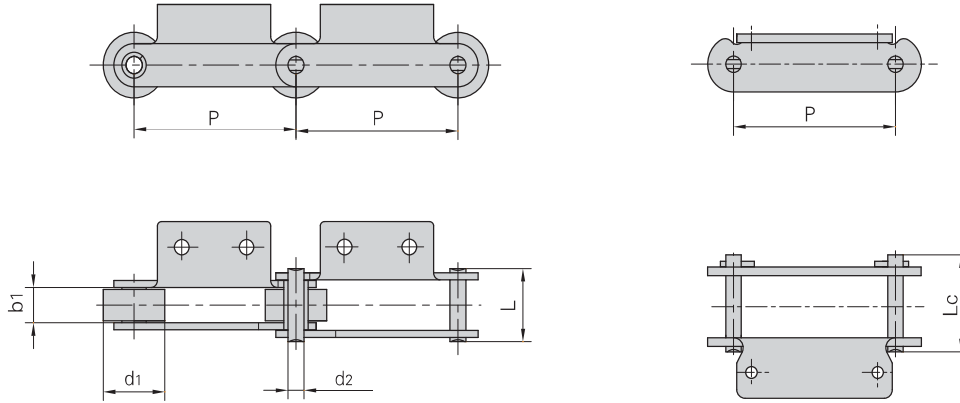


CONVEYOR CHAINS

ISO Chain No.	P	L	G	d4	F	W	h4
	mm	mm	mm	mm	mm	mm	mm
M112	80.0	△	28.0	14.0	55.0	80.0	40.0
	100.0	△	40.0				
	125.0	35.0	65.0				
	160.0	65.0	95.0				
	200.0	100.0	130.0				
M160	100.0	△	30.0	14.0	62.0	85.0	45.0
	125.0	25.0	50.0				
	160.0	50.0	80.0				
	200.0	85.0	115.0				
	250.0	145.0	175.0				
M224	125.0	△	35.0	18.0	70.0	110.0	55.0
	160.0	△	60.0				
	200.0	65.0	100.0				
	250.0	125.0	160.0				
	315.0	190.0	230.0				
M315	160.0	△	35.0	18.0	80.0	115.0	65.0
	200.0	50.0	85.0				
	250.0	100.0	140.0				
	315.0	155.0	190.0				
	400.0	155.0	205.0				

△ Attachments with 1 hole

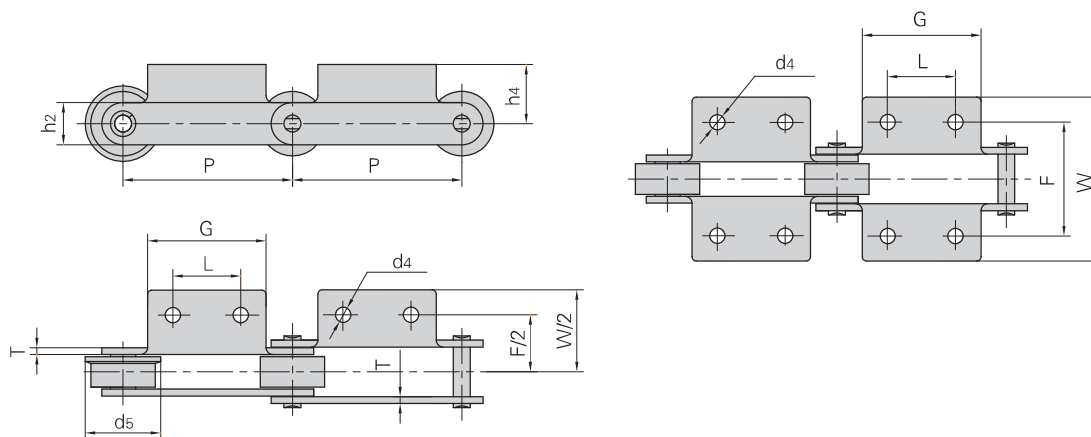
Conveyor chain with attachments (M series)



Donghua Chain No.	Pitch	Roller diameter	Width between inner plates	Pin diameter	Pin length		Ultimate tensile strength	Average tensile strength	Weight per meter
	P	d1 max	b1 min	d2 max	L max	Lc max	Q min	Q0	q
	mm	mm	mm	mm	mm	mm	kN/LB	kN	kg/m
M18F1A1-P-50	50.00	25.00	11.50	5.72	26.0	28.2	18.0/4050	20.0	2.46
M18F2A1.02-P-50	50.00	25.00	11.50	5.72	28.0	30.2	18.0/4050	20.0	2.18
M18F4A1.02-S-50	50.00	15.00	12.00	6.00	24.0	26.5	18.0/4050	20.0	1.20
M28F1A2-P-80	80.00	29.40	18.00	7.00	35.4	38.7	28.0/6300	31.0	2.60
M28F3A2-P-63	63.00	30.00	17.00	7.00	37.3	40.3	35.0/7874	39.0	3.48
M28F3A2-F-100	100.00	30.00	17.00	7.00	37.3	40.3	35.0/7874	39.0	3.46
M32A1.02-P-50	50.00	31.00	15.00	10.00	33.0	35.5	32.0/7200	35.2	4.09
M32A1F1-P-50	50.00	31.00	15.00	10.00	33.0	35.5	32.0/7200	35.2	3.96
M35F4A1.01-C-69	69.00	25.00	12.00	7.00	27.5	30.0	35.0/7874	39.0	2.26
M40FA1.02-P-50	50.00	31.00	15.00	10.00	36.6	39.0	75.0/16872	82.5	4.52
M40FK2F1-P-50	50.00	31.00	15.00	10.00	36.6	39.0	40.0/9000	44.0	4.94
M40F10-F-76.2	76.20	31.50	15.00	14.00	38.0	42.0	40.0/9000	44.0	4.16
M80K1F1-P-100	100.00	50.00	28.00	12.00	55.0	58.5	80.0/18000	88.0	9.10
*M80K2F1-B-100	100.00	18.00	28.00	12.00	55.0	58.5	80.0/18000	88.0	5.94
*M80F5K1-B-100	100.00	18.00	28.00	12.00	55.0	58.5	80.0/18000	88.0	5.45
M112K2F1-S-125	125.00	30.00	32.00	16.00	64.5	69.0	112.0/25200	123.2	7.35
M112F3-F-200	200.00	60.00	37.00	16.00	69.0	74.0	112.0/25200	123.2	11.00
M112F5K2-P-100	100.00	36.00	37.00	16.00	69.0	74.0	112.0/25200	123.2	8.28
M160F1K2-P-100	100.00	36.00	36.00	18.00	76.0	80.0	160.0/35993	176.0	10.80
*M160F2-B-100	100.00	25.00	37.00	18.00	73.3	83.0	222.0/49940	244.2	11.36
M160F3K1F1-P-101.6	101.60	66.70	26.00	26.90	58.0	78.5	156.0/35093	171.6	17.37
M160F12K2-S-100	100.00	36.00	38.00	14.00	76.0		100.0/22496	110.0	9.33
M224F6A2-P-160	160.00	85.00	42.00	21.00	87.5	92.5	224.0/51982	246.5	27.56

*Bushing chain: d1 in the table indicate the external diameter of the bushing.

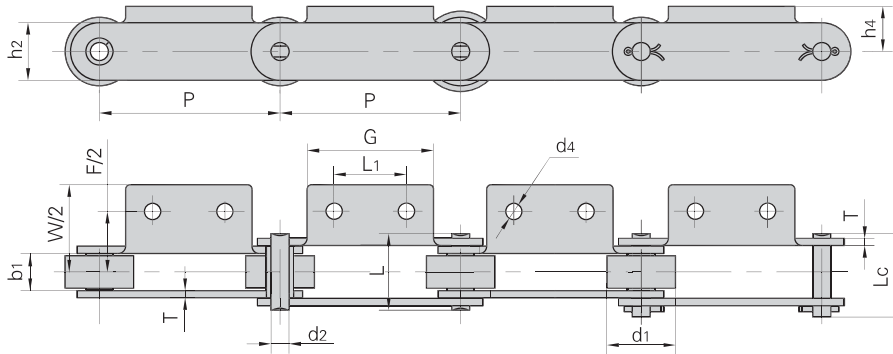
Conveyor chain with attachments (M series)



Donghua Chain No.	P	L	G	F	W	h4	h2	d4	T	d5
	mm	mm	mm	mm	mm	mm	mm	mm	mm	mm
M18F1A1-P-50	50.00	△	46.0	44.0	72.0	24.0	18.0	6.5	2.50	
M18F2A1.02-P-50	50.00	△	41.0	48.0	68.0	25.0	15.0	6.5	3.00	
M18F4A1.02-S-50	50.00	△	30.0	50.0	83.0	20.0	15.0	8.0	2.03	
M28F1A2-P-80	80.00	25.00	45.8	66.0	91.6	11.8	20.5	8.8	3.25	
M28F3A2-P-63	63.00	20.00	50.0	64.0	92.0	20.0	20.0	9.0	4.00	
M28F3A2-F-100	100.00	40.00	76.0	64.0	100.0	20.0	20.0	9.0	4.00	40.0
M32A1.02-P-50	50.00	△	60.0	62.0	97.0	35.0	23.0	10.0	3.00	
M32A1F1-P-50	50.00	△	30.0	62.0	92.0	28.0	23.0	10.0	3.00	
M35F4A1.01-C-69	69.00	△	60.0	50.0	74.0	25.5	19.0	7.0	2.50	
M40FA1.02-P-50	50.00	△	60.0	70.0	98.0	17.5	25.0	10.0	4.00	
M40F.K2F1-P-50	50.00	30.00	60.0	67.5	100.0	17.0	25.0	9.0	4.00	
M40F10-F-76.2	76.20	22.20	38.3	76.2	106.5	19.0	26.0	9.4	4.00	40.0
M80K1F1-P-100	100.00	△	30.0	96.0	138.0	35.0	35.0	11.0	5.00	
M80K2F1-B-100	100.00	70.00	100.0	96.0	130.0	35.0	35.0	11.0	5.00	
M80F5K1-B-100	100.00	△	60.0	100.0	156.0	23.2	35.0	13.0x17.0	5.00	
M112K2F1-S-125	125.00	80.00	110.0	85.8	115.8	35.0	40.0	13.0	6.00	
M112F3-F-200	200.00	90.00	120.0	102.0	137.5	40.0	45.0	11.0	6.00	75.0
M112F5K2-P-100	100.00	35.00	65.0	98.5	140.0	40.0	40.0	14.0	6.00	
M160F1K2-P-100	100.00	40.00	80.0	124.0	183.0	35.0	40.0	14.0	7.00	
*M160F2-B-100	100.00	△	110.0	125.0	155.0	45.0	50.0	17.0	7.00	
M160F3K1F1-P-101.6	101.60	△	56.0	175.0	204.0	38.0	51.0	11.0	7.10/5.10	
M160F12K2-S-100	100.00	30.00	70.0	100.0	120.0	35.0	40.0	13.0	5.60	
M224F6A2-P-160	160.00	80.00	125.0	136.0	182.0	62.0	72.0	17.0	8.00	

△ Attachments with 1 hole

Conveyor chain with attachments (M series)



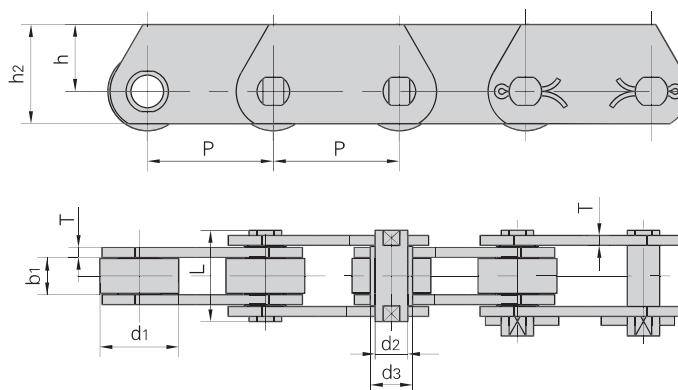
CONVEYOR CHAINS

Donghua Chain No.	Pitch	Roller diameter	Width between inner plates	Pin diameter	Pin length		Ultimate tensile strength	Average tensile strength	Weight per meter
	P	d1 max	b1 min	d2 max	L max	Lc max	Q min	Q0	q
	mm	mm	mm	mm	mm	mm	kN/LB	kN	kg/m
M40F1-P-125	125.0	36.0	38.0	14.27	75.6		40.0/9091	44.0	10.18
M56F1-P-100	100.0	38.0	20.5	10.00	42.3	46.1	56.0/12727	61.0	4.63
M56F2-P-100	100.0	42.0	22.5	10.00	44.6	48.5	56.0/12727	61.0	5.67
M56F3-P-100	100.0	38.0	20.5	10.00	42.3	46.1	56.0/12727	61.0	4.72
M56F8-P-100	100.0	38.0	17.0	10.00	38.8	42.6	56.0/12727	61.0	3.79
M56A2-P-125	125.0	42.0	24.0	10.00	46.0	49.5	56.0/12727	61.0	5.24
M75-P100	100.0	38.0	18.9	9.53	40.4	44.7	75.0/17045	83.0	4.85
M75-P100F1	100.0	38.0	18.9	9.53	38.4	42.7	75.0/17045	83.0	4.01
M75-P100F3	100.0	28.5	23.9	11.10	46.3	50.3	75.0/17045	83.0	4.53
M75F4-P-100	100.0	38.0	18.9	9.53	40.4	44.7	75.0/17045	83.0	4.62
M160-S-200K2F2	200.0	36.0	36.0	18.00	76.0	80.0	160.0/36364	176.0	11.40
M224F1K2-P-200	200.0	85.0	42.0	21.00	95.0		224.0/50909	246.0	21.20

Donghua Chain No.	P	L1	G	F	W	h4	h2	d4	T
	mm	mm	mm	mm	mm	mm	mm	mm	mm
M40F1-P-125	125.0	50.0	90.0	100.0	140.0	36.0	50.0	13.0	6.0
M56F1-P-100	100.0	40.0	70.0	67.5	96.6	35.0	25.0	9.0	4.0
M56F2-P-100	100.0	29.7	50.0	124.0	148.0	21.5	32.0	7.0	4.0
M56F3-P-100	100.0	50.0	70.0	71.0	101.0	35.0	25.0	9.0	4.0
M56F8-P-100	100.0	△	70.0	63.8	95.0	25.0	25.0	8.2	4.0
M56A2-P-125	125.0	50.0	75.0	88.0	128.0	30.0	30.0	11.0	4.0
M75-P100	100.0	40.0	70.0	64.0	112.0	24.9	26.0	9.0	4.0
M75-P100F1	100.0	40.0	70.0	64.0	112.0	24.4	26.0	9.0	3.5
M75-P100F3	100.0	50.0	70.0	75.7	96.7	35.0	26.0	9.7	4.0
M75F4-P-100	100.0	40.0	70.0	90.0	112.4	24.9	26.0	8.5	4.0
M160-S-200K2F2	200.0	100.0	180.0	103.0	133.0	45.0	51.0	9.0	7.0
M224F1K2-P-200	200.0	80.0	120.0	128.0	168.0	40.0	50.0	14.0	9.0

△ Attachments with 1 hole

Conveyor chains (MT series)

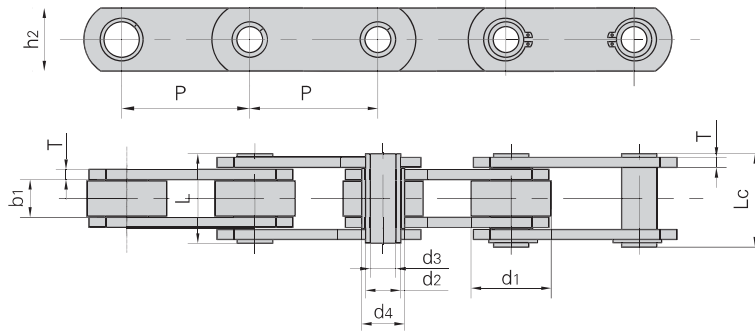


DIN Chain No.	Pitch					Roller diameter	Pin diameter	Bush diameter	Plate thickness
	P					d1 max	d2 max	d3 max	T max
	mm					mm	mm	mm	mm
MT20	40.0	50.0	63.0	80.0	100.0	25.0	6.0	9.0	2.5
MT28	50.0	63.0	80.0	100.0	125.0	30.0	7.0	10.0	3.0
MT40	63.0	80.0	100.0	125.0	160.0	36.0	8.5	12.5	3.5
MT56	63.0	80.0	100.0	125.0	160.0	42.0	10.0	15.0	4.0
MT80	80.0	100.0	125.0	160.0	200.0	50.0	12.0	18.0	5.0
MT112	80.0	100.0	125.0	160.0	200.0	60.0	15.0	21.0	6.0
MT160	100.0	125.0	160.0	200.0	250.0	70.0	18.0	25.0	7.0
MT224	125.0	160.0	200.0	250.0	315.0	85.0	21.0	30.0	8.0
MT315	160.0	200.0	250.0	315.0	400.0	100.0	25.0	36.0	10.0
MT450	200.0	250.0	315.0	400.0	500.0	120.0	30.0	42.0	12.0

DIN Chain No.	Width between inner plates	Pin length	Plate depth		Ultimate tensile strength	
	b1 min mm	L max mm	h2 max mm	h max mm	Q min kN/LB	*Q min kN/LB
MT20	16.0	35.0	25.0	16.0	20.0/4545	32.0/7270
MT28	18.0	40.0	30.0	20.0	28.0/6364	42.0/9545
MT40	20.0	45.0	35.0	22.5	40.0/9091	60.0/13635
MT56	24.0	52.0	45.0	30.0	56.0/12727	85.0/19318
MT80	28.0	62.0	50.0	32.5	80.0/18182	125.0/28408
MT112	32.0	73.0	60.0	40.0	112.0/25454	175.0/39768
MT160	37.0	85.0	70.0	45.0	160.0/36364	260.0/59090
MT224	43.0	98.0	90.0	60.0	224.0/50909	340.0/77272
MT315	48.0	112.0	100.0	65.0	315.0/71591	520.0/118180
MT450	56.0	135.0	120.0	80.0	450.0/102272	700.0/159089

*Q Higher breaking load with hardened plates

Hollow pin conveyor chains (MC series)

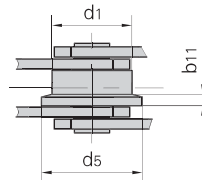
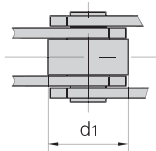
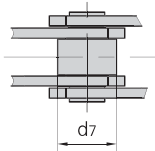
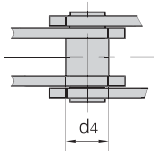


without rollers

with S small rollers type

with P large rollers type

with F flanged rollers type



DIN Chain No.	Pitch						Roller dimension				Bush diameter	Plate depth
	P						d1 max	d7 max	d5 max	b11	d4 max	h2 max
	mm						mm	mm	mm	mm	mm	mm
MC28	63.0	80.0	100.0	125.0	160.0		36.0	25.0	45.0	4.5	17.5	25.0
MC56	80.0	100.0	125.0	160.0	200.0	250.0	50.0	30.0	60.0	5.0	21.0	35.0
MC112	100.0	125.0	160.0	200.0	250.0	315.0	70.0	42.0	85.0	7.0	29.0	50.0
MC224	160.0	200.0	250.0	315.0	400.0	500.0	100.0	60.0	120.0	10.0	41.0	70.0

DIN Chain No.	Width between inner plates	Pin diameter		Pin length		Plate thickness	Breaking load	
	b1 min mm	d2 max mm	d3 min mm	L max mm	Lc max mm	T max mm	Q min kN/LB	*Q min kN/LB
MC28	20.0	13.0	8.2	36.0	38.5	3.5	28.0/6364	40.0/9091
MC56	24.0	15.5	10.2	45.0	47.5	4.0	56.0/12727	90.0/20454
MC112	32.0	22.0	14.3	62.5	64.3	6.0	112.0/25454	180.0/40908
MC224	43.0	31.0	20.3	83.0	85.5	8.0	224.0/50909	350.0/79544

*Q Higher breaking load with hardened plates