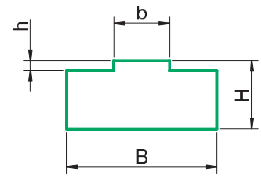


T1 guides for single roller chains



ISO chains

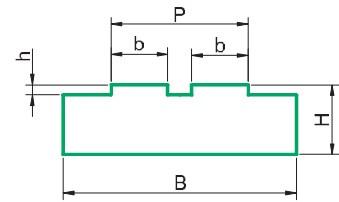
Type	Chains	Ref. ISO	B [mm]	H [mm]	b [mm]	h [mm]
T1-01	3/8"x 7/32"	06-B1	15	10	5,4	1,5
T1-05	1/2"x5/16"	08-B1	20	10	7,4	2,2
T1-06	1/2"x5/16"	08-B1	20	15	7,4	2,2
T1-07	1/2"x5/16"	08-B1	20	20	7,4	2,2
T1-09	5/8"x3/8"	10-B1	20	10	9,2	2,6
T1-10	5/8"x3/8"	10-B1	20	15	9,2	2,6
T1-11	5/8"x3/8"	10-B1	20	20	9,2	2,6
T1-13	3/4"x7/16"	12-B1	25	10	11,3	2,4
T1-14	3/4"x7/16"	12-B1	25	15	11,3	2,4
T1-15	3/4"x7/16"	12-B1	25	20	11,3	2,4
T1-18	1"x17mm	16-B1	40	15	16,5	3,5
T1-19	1"x17mm	16-B1	40	20	16,5	3,5
T1-21	1 1/4"x3/4"	20-B1	45	15	19	4,3
T1-22	1 1/4"x3/4"	20-B1	45	20	19	4,3
T1-24	1 1/2"x1"	24-B1	60	15	24,6	5,6
T1-25	1 1/2"x1"	24-B1	60	20	24,6	5,6
T1-27	13/4"x31mm	28-B1	75	20	30	6,9
T1-30	2"x 31mm	32-B1	80	20	30	7,8

ASA chains

Type	Chains	Ref. ASA	B [mm]	H [mm]	b [mm]	h [mm]
T1-51	3/8"x 3/16"	ASA 35	15	10	4	2,2
T1-54	1/2"x5/16"	ASA 40	20	10	7,1	2,3
T1-55	1/2"x5/16"	ASA 40	20	15	7,1	2,3
T1-56	1/2"x5/16"	ASA 40	20	20	7,1	2,3
T1-58	5/8"x3/8"	ASA 50	20	10	8,6	2,7
T1-59	5/8"x3/8"	ASA 50	20	15	8,6	2,7
T1-60	5/8"x3/8"	ASA 50	20	20	8,6	2,7
T1-62	3/4"x1/2"	ASA 60	25	10	11,9	3,4
T1-63	3/4"x1/2"	ASA 60	25	15	11,9	3,4
T1-64	3/4"x1/2"	ASA 60	25	20	11,9	3,4
T1-66	1"x5/8"	ASA 80	40	15	15,1	4,5
T1-68	1"x5/8"	ASA 80	40	20	15,1	4,5

- Standard material for chain guides is HABIPLAST® UHR/G green, different materials are available on demand (see pages 6/7)
- Standard lengths are 2 and 3 m, other lengths available on demand up to max 6 m

T2 guides for double roller chains



ISO chains

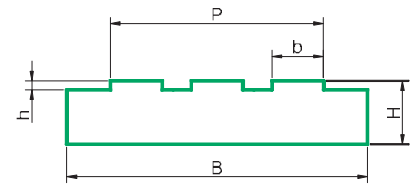
Type	Chains	Ref. ISO	B [mm]	H [mm]	b [mm]	h [mm]	P [mm]
T2-01	3/8"x 7/32"	06-B2	25	10	5,4	1,5	15,8
T2-05	1/2"x5/16"	08-B2	35	10	7,4	2,2	21,4
T2-06	1/2"x5/16"	08-B2	35	15	7,4	2,2	21,4
T2-07	1/2"x5/16"	08-B2	35	20	7,4	2,2	21,4
T2-09	5/8"x3/8"	10-B2	40	10	9,2	2,6	25,8
T2-10	5/8"x3/8"	10-B2	40	15	9,2	2,6	25,8
T2-11	5/8"x3/8"	10-B2	40	20	9,2	2,6	25,8
T2-13	3/4"x7/16"	12-B2	45	15	11,3	2,4	30,8
T2-14	3/4"x7/16"	12-B2	45	20	11,3	2,4	30,8
T2-15	1"x17mm	16-B2	65	15	16,5	3,5	48,4
T2-18	1"x17mm	16-B2	65	20	16,5	3,5	48,4
T2-19	1 1/4"x3/4"	20-B2	70	15	19	4,3	54,5
T2-21	1 1/4"x3/4"	20-B2	70	20	19	4,3	54,5
T2-22	1 1/2"x1"	24-B2	88	20	24,6	5,6	73
T2-24	1 3/4"x31mm	28-B2	105	25	30	6,9	89,6
T2-25	2"x31mm	32-B2	105	30	30	7,8	88,7

ASA chains

Type	Chains	Ref. ASA	B [mm]	H [mm]	b [mm]	h [mm]	P [mm]
T2-51	3/8"x 3/16"	ASA 35.2	25	10	4	2,2	14,13
T2-55	1/2"x5/16"	ASA 40.2	35	10	7,1	2,3	21,48
T2-56	1/2"x5/16"	ASA 40.2	35	15	7,1	2,3	21,48
T2-57	1/2"x5/16"	ASA 40.2	35	20	7,1	2,3	21,48
T2-59	5/8"x3/8"	ASA 50.2	40	10	8,6	2,7	26,71
T2-60	5/8"x3/8"	ASA 50.2	40	15	8,6	2,7	26,71
T2-61	5/8"x3/8"	ASA 50.2	40	20	8,6	2,7	26,71
T2-63	3/4"x1/2"	ASA 60.2	45	10	11,9	3,4	34,68
T2-64	3/4"x1/2"	ASA 60.2	45	15	11,9	3,4	34,68
T2-65	3/4"x1/2"	ASA 60.2	45	20	11,9	3,4	34,68
T2-67	1"x5/8"	ASA 80.2	55	15	15,1	4,5	44,39
T2-68	1"x5/8"	ASA 80.2	55	20	15,1	4,5	44,39

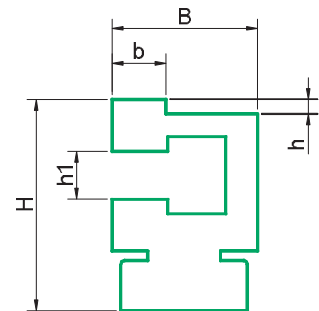
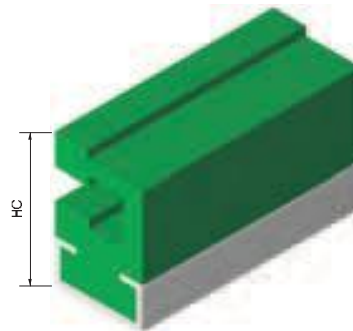
- Standard material for chain guides is HABIPLAST® UHR/G green, different materials are available on demand (see pages 6/7)
- Standard lengths are 2 and 3 m, other lengths available on demand up to max 6 m

T3 guides for triple roller chains



Type	Chains	Ref. ISO	B [mm]	H [mm]	b [mm]	h [mm]	P [mm]
T3-01	3/8"x 7/32"	06-B3	35	10	5,4	1,5	25,9
T3-05	1/2"x5/16"	08-B3	45	10	7,4	2,2	35,2
T3-06	1/2"x5/16"	08-B3	45	15	7,4	2,2	35,2
T3-07	1/2"x5/16"	08-B3	45	20	7,4	2,2	35,2
T3-09	5/8"x3/8"	10-B3	55	10	9,2	2,6	42,4
T3-10	5/8"x3/8"	10-B3	55	15	9,2	2,6	42,4
T3-11	5/8"x3/8"	10-B3	55	20	9,2	2,6	42,4
T3-13	3/4"x7/16"	12-B3	60	15	11,3	2,4	50,2
T3-14	3/4"x7/16"	12-B3	60	20	11,3	2,4	50,2
T3-15	1"x17mm	16-B3	95	20	16,5	3,5	80,3

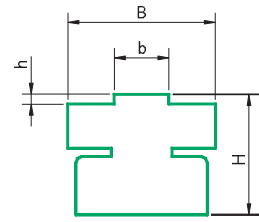
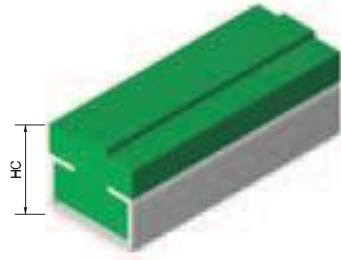
ET guides with metallic profile for single overlapped chains



Type	Chains	Ref. ISO	Metallic Profile	HC [mm]	B [mm]	H [mm]	b [mm]	h [mm]	h1 [mm]
ET-00	3/8"x 7/32"	06-B1	C-3	28,7	20	26,4	5,4	1,4	6,6
ET-01	1/2"x5/16"	08-B1	C-3	30,5	20	28	7,4	2	8,7
ET-02	5/8"x3/8"	10-B1	C-3	36	20	34,1	9,2	2,5	10,4
ET-03	3/4"x7/16"	12-B1	C-5	41,5	24	38,5	11,3	2,3	12,3
ET-04	1"x17mm	16-B1	C-9	61,5	33,5	52,4	16,5	4,1	16,1

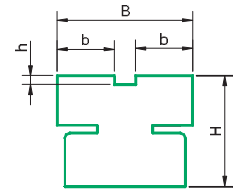
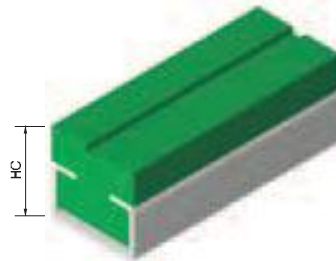
- Standard material for chain guides is HABIPLAST® UHR/G green, different materials are available on demand (see pages 6/7)
- Metallic profile is not included, it must be ordered separately (see pages 25/26)
- Standard lengths are 2 and 3 m, other lengths available on demand up to max 6 m
- T3 guides for ASA chains are available on demand

T1C guides with metallic profile for single roller chains



Type	Chains	Ref. ISO	Metallic Profile	HC [mm]	B [mm]	H [mm]	b [mm]	h [mm]
T1C-31	3/8"x 7/32"	06-B1	C-3	17	20	15	5,4	1,5
T1C-33	1/2"x5/16"	08-B1	C-3	17	20	15	7,4	2,2
T1C-34	5/8"x3/8"	10-B1	C-3	17	20	15	9,2	2,6
T1C-35	3/4"x7/16"	12-B1	C-3	17	20	15	11,3	2,4
T1C-36	1"x17mm	16-B1	C-5	18	28	15	16,5	3,5
T1C-37	1 1/4"x3/4"	20-B1	C-9	27	38	20	19	4,3

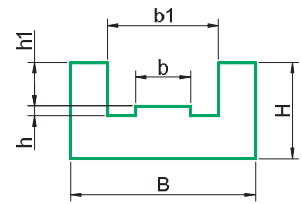
T2C guides with metallic profile for double roller chains



Type	Chains	Ref. ISO	Metallic Profile	HC [mm]	B [mm]	H [mm]	b [mm]	h [mm]
T2C-31	3/8"x 7/32"	06-B2	C-3	17	15,7	15	5,4	1,5
T2C-33	1/2"x5/16"	08-B2	C-3	17	21,4	15	7,4	2,2
T2C-34	5/8"x3/8"	10-B2	C-5	19	25,9	15	9,2	2,6
T2C-35	3/4"x7/16"	12-B2	C-5	19	30,7	15	11,3	2,4
T2C-36	1"x17mm	16-B2	C-9	27	48,3	20	16,5	3,5

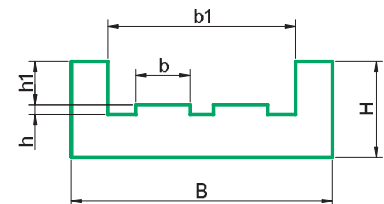
- Standard material for chain guides is HABIPLAST® UHR/G green, different materials are available on demand (see pages 6/7)
- Metallic profile is not included, it must be ordered separately (see pages 25/26)
- Standard lengths are 2 and 3 m, other lengths available on demand up to max 6 m
- T1C and T2C guides for ASA chains are available on demand

E1 guides for single roller chains



Type	Chains	Ref. ISO	B [mm]	H [mm]	b [mm]	h [mm]	b1 [mm]	h1 [mm]
E1-01	3/8"x 7/32"	06-B1	25	10	5,4	1,5	15	4,4
E1-05	1/2"x5/16"	08-B1	30	15	7,4	2,2	20	7,2
E1-06	5/8"x3/8"	10-B1	33	20	9,2	2,6	23	9,5
E1-07	3/4"x7/16"	12-B1	38	20	11,3	2,4	28	11,1
E1-10	1"x17mm	16-B1	51	25	16,5	3,5	41	16,5

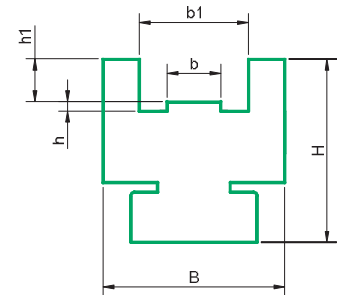
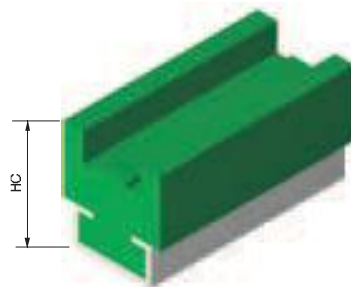
E2 guides for double roller chains



Type	Chains	Ref. ISO	B [mm]	H [mm]	b [mm]	h [mm]	b1 [mm]	h1 [mm]
E2-01	3/8"x 7/32"	06-B2	36	15	5,4	1,5	26	4,4
E2-05	1/2"x5/16"	08-B2	45	20	7,4	2,2	35	7,2
E2-06	5/8"x3/8"	10-B2	50	25	9,2	2,6	40	9,5
E2-07	3/4"x7/16"	12-B2	56	25	11,3	2,4	46	11,1
E2-10	1"x17mm	16-B2	85	30	16,5	3,5	75	16,5

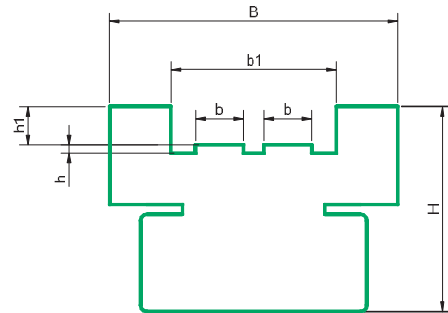
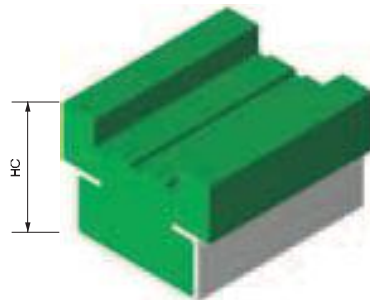
- Standard material for chain guides is HABIPLAST® UHR/G green, different materials are available on demand (see pages 6/7)
- Standard lengths are 2 and 3 m, other lengths available on demand up to max 6 m
- E1 and E2 guides for ASA chains are available on demand

E1C guides with metallic profile for single roller chains



Type	Chains	Ref. ISO	Metallic Profile	HC [mm]	B [mm]	H [mm]	b [mm]	h [mm]	b1 [mm]	h1 [mm]
E1C-01	3/8"x7/32"	06-B1	C-3	20	25	18	5,4	1,5	15	4,4
E1C-05	1/2"x5/16"	08-B1	C-3	27	30	25	7,4	2,2	20	7,2
E1C-06	5/8"x3/8"	10-B1	C-5	32	33	30	9,2	2,6	23	9,5
E1C-07	3/4"x7/16"	12-B1	C-9	38,5	38	35	11,3	2,4	28	11,1
E1C-10	1"x17mm	16-B1	C-9	43,5	51	40	16,5	3,5	41	16,5

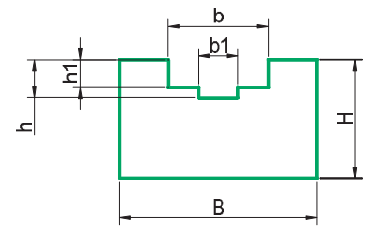
E2C guides with metallic profile for double roller chains



Type	Chains	Ref. ISO	Metallic Profile	HC [mm]	H [mm]	B [mm]	b [mm]	h [mm]	b1 [mm]	h1 [mm]
E2C-01	3/8"x7/32"	06-B2	C-5	22	18	36	5,4	1,5	26	4,4
E2C-05	1/2"x5/16"	08-B2	C-9	33	25	45	7,4	2,2	35	7,2
E2C-06	5/8"x3/8"	10-B2	C-9	37	30	50	9,2	2,6	40	9,5
E2C-07	3/4"x7/16"	12-B2	C-9	38,5	35	56	11,3	2,4	46	11,1
E2C-10	1"x17mm	16-B2	C-9	43,5	40	85	16,5	3,5	75	16,5

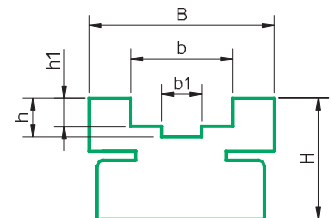
- Standard material for chain guides is HABIPLAST® UHR/G green, different materials are available on demand (see pages 6/7)
- Metallic profile is not included, it must be ordered separately (see pages 25/26)
- Standard lengths are 2 and 3 m, other lengths available on demand up to max 6 m
- E1C and E2C guides for ASA chains are available on demand

U guides for vertical roller chains



Type	Chains	Ref. ISO	B [mm]	H [mm]	b [mm]	h [mm]	b1 [mm]	h1 [mm]
U-01	3/8"x 7/32"	06-B1	20	15	9,2	4,2	4	2,8
U-02	1/2"x5/16"	08-B1	25	15	12,7	4,8	5	3,5
U-03	5/8"x3/8"	10-B1	25	15	15,2	5,1	6	3,6
U-04	3/4"x7/16"	12-B1	25	20	16,7	5,7	7	3,9
U-05	1"x17mm	16-B1	35	25	24,4	10	9	8,4

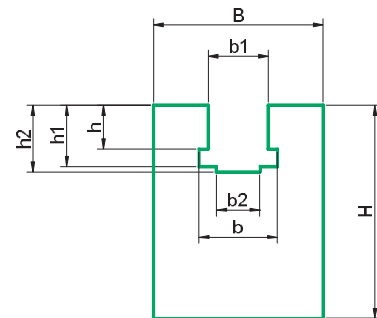
UC guides with metallic profile for vertical roller chains



Type	Chains	Ref. ISO	Metallic Profile	HC [mm]	B [mm]	H [mm]	b [mm]	h [mm]	b1 [mm]	h1 [mm]
UC-32	1/2"x5/16"	08-B1	C-3	18	20	15	12,7	4,8	5	3,5
UC-33	5/8"x3/8"	10-B1	C-3	18	23	15	15,2	5,1	6	3,6
UC-34	3/4"x7/16"	12-B1	C-3	23	23	20	16,7	5,7	7	3,9
UC-35	1"x17mm	16-B1	C-5	28	32	25	24,4	10	8	8,4

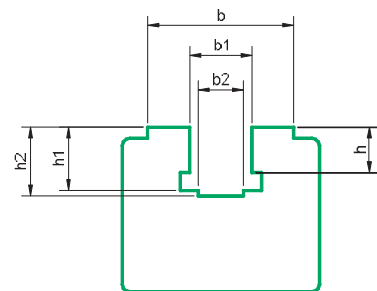
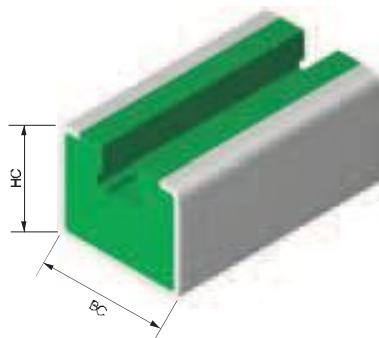
- Standard material for chain guides is HABIPLAST® UHR/G green, different materials are available on demand (see pages 6/7)
- Metallic profile is not included, it must be ordered separately (see pages 25/26)
- Standard lengths are 2 and 3 m, other lengths available on demand up to max 6 m
- U and UC guides for ASA chains are available on demand

BL guides for vertical single roller chains



Type	Chains	Ref. ISO	B [mm]	H [mm]	b [mm]	h [mm]	b1 [mm]	h1 [mm]	b2 [mm]	h2 [mm]
BL-01	3/8"x7/32"	06-B1	20	25	9,3	5,6	6,6	8,7	4	10
BL-05	1/2"x5/16"	08-B1	24	30	12,8	7,6	8,7	11,5	5	13,5
BL-09	5/8"x3/8"	10-B1	30	35	15,4	9,5	10,4	13,5	6	14,8
BL-15	3/4"x7/16"	12-B1	40	35	16,9	11,5	12,3	15,9	7	17,5
BL-18	1"x17mm	16-B1	40	45	24,4	16,1	16,1	25,7	9	26,8
BL-21	1 1/4"x3/4"	20-B1	50	50	27,5	19,4	19,3	29,3	11	31,2
BL-24	1 1/2"x1"	24-B1	60	60	36,5	25,2	25,7	38,2	16	40,1
BL-25	1 3/4"x31mm	28-B1	60	70	41,5	30,8	28,3	46,9	17	48,9
BL-30	2"x31mm	32-B1	70	75	44,5	30,8	29,6	47,3	19	53

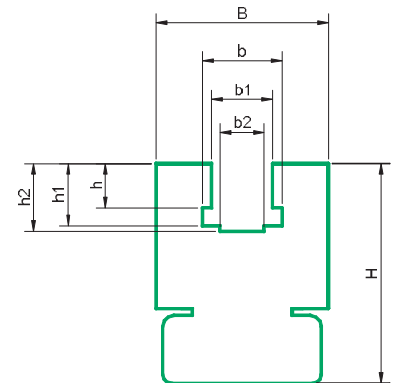
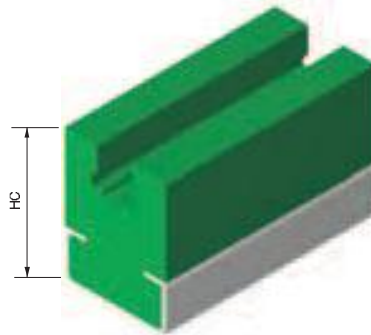
BLC guides with metallic profile for vertical single roller chains



Type	Chains	Ref. ISO	Metallic Profile	BC [mm]	HC [mm]	b [mm]	h [mm]	b1 [mm]	h1 [mm]	b2 [mm]	h2 [mm]
BLC-01	3/8"x7/32"	06-B1	C-10	30	24	19,8	5,6	6,6	8,7	4	10
BLC-05	1/2"x5/16"	08-B1	C-10	30	24	19,8	7,6	8,7	11,5	5	13,5
BLC-09	5/8"x3/8"	10-B1	C-10	30	24	19,8	9,5	10,4	13,5	6	14,8
BLC-15	3/4"x7/16"	12-B1	C-10	30	24	19,8	11,5	12,3	15,9	7	17,5
BLC-18	1"x17mm	16-B1	C-11	45	40	30,6	16,1	16,1	25,7	9	26,8
BLC-21	1 1/4"x3/4"	20-B1	C-11	45	40	30,6	19,5	19,3	29,3	11	31,2

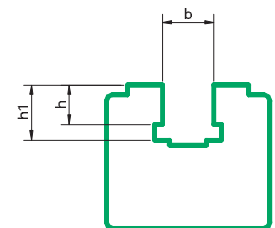
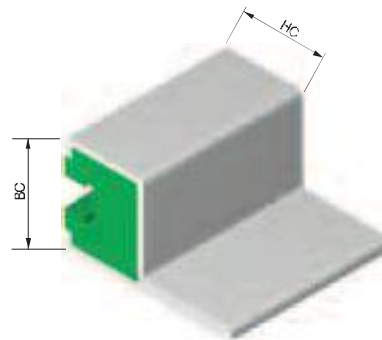
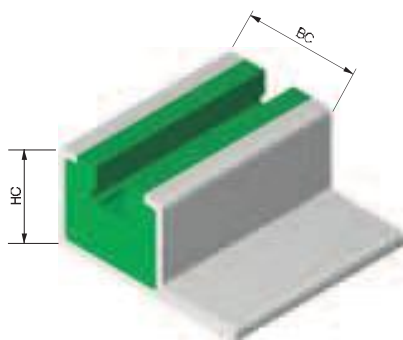
- Standard material for chain guides is HABIPLAST® UHR/G green, different materials are available on demand (see pages 6/7)
- Metallic profile is not included, it must be ordered separately (see pages 25/26)
- Standard lengths are 2 and 3 m, other lengths available on demand up to max 6 m
- BL and BLC guides for ASA chains are available on demand

KC guides with metallic profile for vertical single roller chains



Type	Chains	Ref. ISO	Met. Profile	HC [mm]	B [mm]	H [mm]	b [mm]	h [mm]	b1 [mm]	h1 [mm]	b2 [mm]	h2 [mm]
KC-01	3/8"x7/32"	06-B1	C-3	21	20	17,5	9,3	5,6	6,6	8,7	4	9,9
KC-02	1/2"x5/16"	08-B1	C-5	32	24	27,5	12,8	7,6	8,7	11,5	5	12,7
KC-03	5/8"x3/8"	10-B1	C-5	32	24	27,5	15,4	9,5	10,4	13,5	6	14,8
KC-04	3/4"x7/16"	12-B1	C-9	43	33	34	16,9	11,5	12,3	15,9	7	17,5
KC-05	1"x17mm	16-B1	C-10	50	38	40	24,4	16,1	16,1	25,7	9	26,8

BKC guides with metallic profile for single roller chains

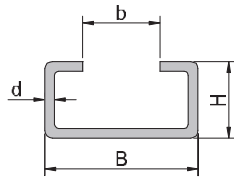


Type	Chains	Ref. ISO	Metallic Profile	BC [mm]	HC [mm]	b [mm]	h [mm]	h1 [mm]
BKC-01	3/8"x7/32"	06-B1	C-14 / C-15	31	25	6,6	5,6	8,7
BKC-05	1/2"x5/16"	08-B1	C-14 / C-15	31	25	8,7	7,6	11,5
BKC-09	5/8"x3/8"	10-B1	C-14 / C-15	31	25	10,4	9,5	13,5
BKC-15	3/4"x7/16"	12-B1	C-14 / C-15	31	25	12,3	11	15,9

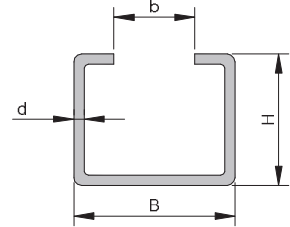
- Standard material for chain guides is HABIPLAST® UHR/G green, different materials are available on demand (see pages 6/7)
- Metallic profile is not included, it must be ordered separately (see pages 25/26)
- Standard lengths are 2 and 3 m, other lengths available on demand up to max 6 m
- KC and BKC guides for ASA chains are available on demand

Metallic profiles for Habiplast® guides

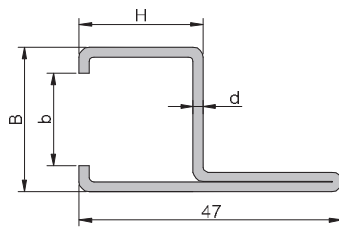
C-3 / CI-3, C-5 / CI-5, C-9 / CI-9



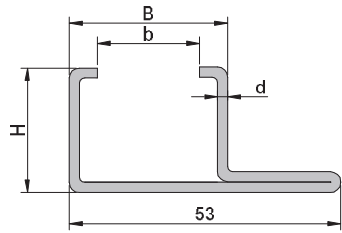
C-10 / CI-10, C-11 / CI-11



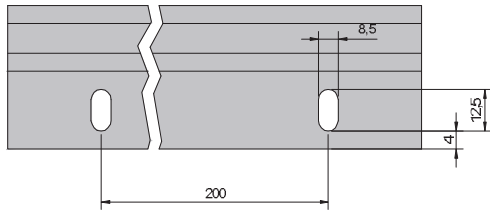
C-14 / CI-14



C-15 / CI-15, AC-01



Standard holes for C-14/CI-14 and C-15/CI-15 metallic profiles:



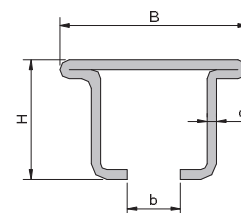
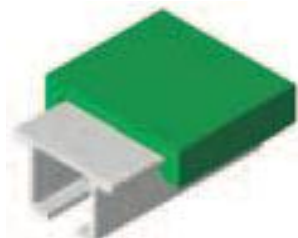
Type	Material	Weight [Kg/m]	B [mm]	H [mm]	b [mm]	d [mm]
C-3	Galvanized Steel	0,43	20	10	10	1,5
C-5	Galvanized Steel	0,85	28	12	14	1,5
C-9	Galvanized Steel	0,98	38	18	22	1,5
C-10	Galvanized Steel	0,94	30	24	20	1,5
C-11	Galvanized Steel	2,05	45	40	31	1,5
C-14	Galvanized Steel	1,2	31	25	20	2
C-15	Galvanized Steel	1,2	31	25	20	2

Type	Material	Weight [Kg/m]	B [mm]	H [mm]	b [mm]	d [mm]
CI-3	Inox	0,43	20	10	10	1,5
CI-5	Inox	0,85	28	12	14	1,5
CI-9	Inox	0,98	38	18	22	1,5
CI-10	Inox	0,94	30	24	20	1,5
CI-11	Inox	2,05	45	40	31	1,5
CI-14	Inox	1,2	31	25	20	2
CI-15	Inox	1,2	31	25	20	2

Type	Material	Weight [Kg/m]	B [mm]	H [mm]	b [mm]	d [mm]
AC-01	Aluminium Alloy	0,83	31	25	20	2,5

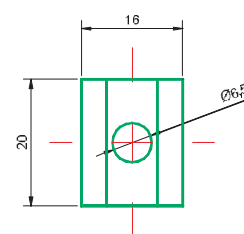
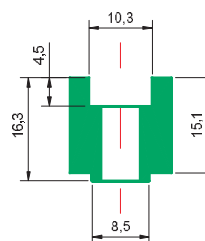
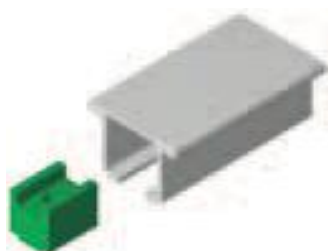
- Standard lengths for metallic profiles are 2, 3, 4 and 6 m

CI-16 metallic profile



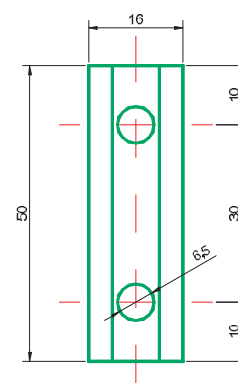
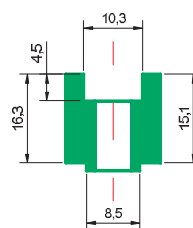
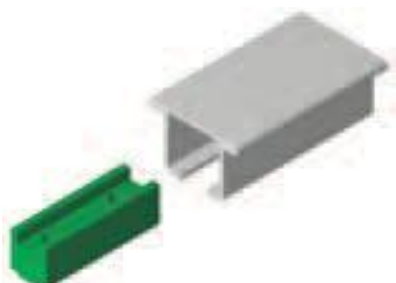
Type	Material	Weight [Kg/m]	B [mm]	H [mm]	b [mm]	d [mm]
CI-16	Inox	0,9	29,8	19	8,8	1,5

FC-20 fixing clamps for CI-16 metallic profile



Type	Material	Colour	N° of clamps per box
FC-20	Habiplast®	Black / Green / White	200
FC-20	Habilon	Black / White	200
FC-20	Habital	Black / White	200

FC-50 connecting element for CI-16 metallic profile



Type	Material	Colour	N° of clamps per box
FC-50	Habiplast®	Black / Green / White	100
FC-50	Habilon	Black / White	100
FC-50	Habital	Black / White	100

- Standard lengths for CI-16 metallic profiles are 2, 3, 4 and 6 m
- Screws not included. Specify the colour and the material in the order