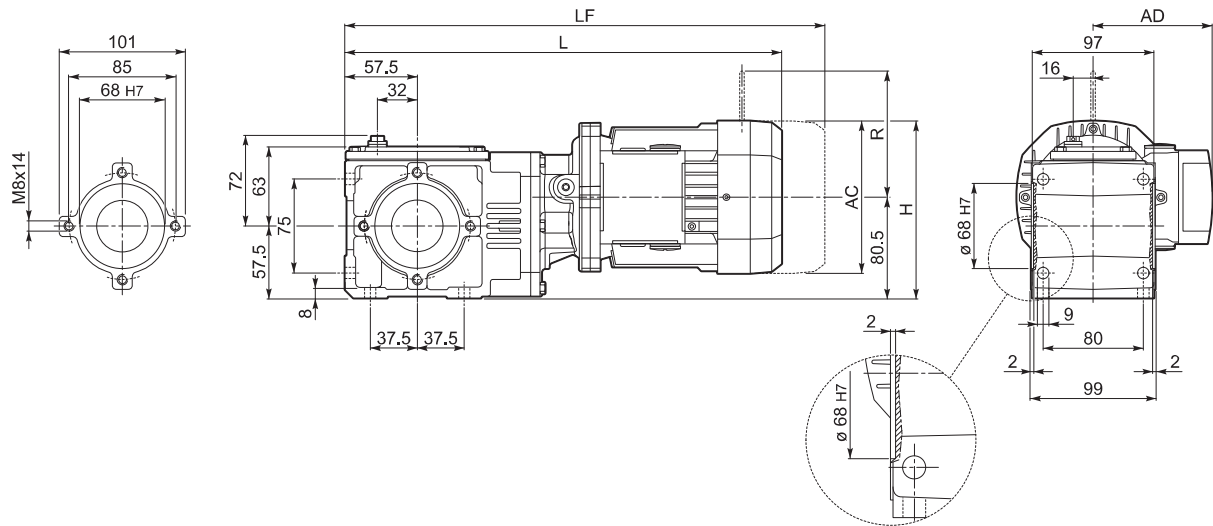


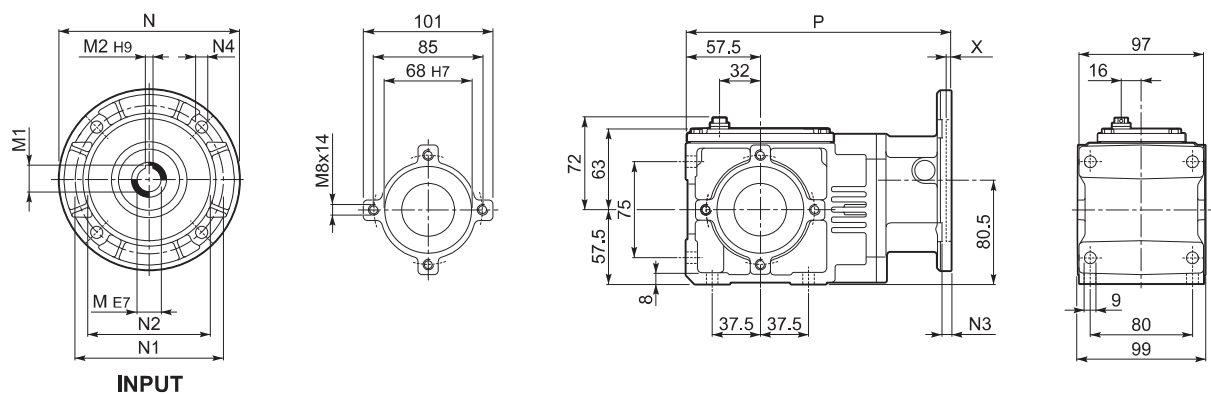
45 DIMENSIONES

A 05...M/ME



			AC	H	L	AD	Kg	M...FD M...FA		M...FD		M...FA	
								LF	Kg	R	AD	R	AD
A 05 2	S05	M05	121	141	360.5	95	7.5	426.5	9	96	122	116	95
A 05 2	S1	M1	138	149.5	389.5	108	11.5	450.5	14	103	135	124	108
A 05 2	S2	ME2S	156	158.5	418.5	119	15.5	—	—	—	—	—	—

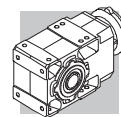
A 05...P(IEC)



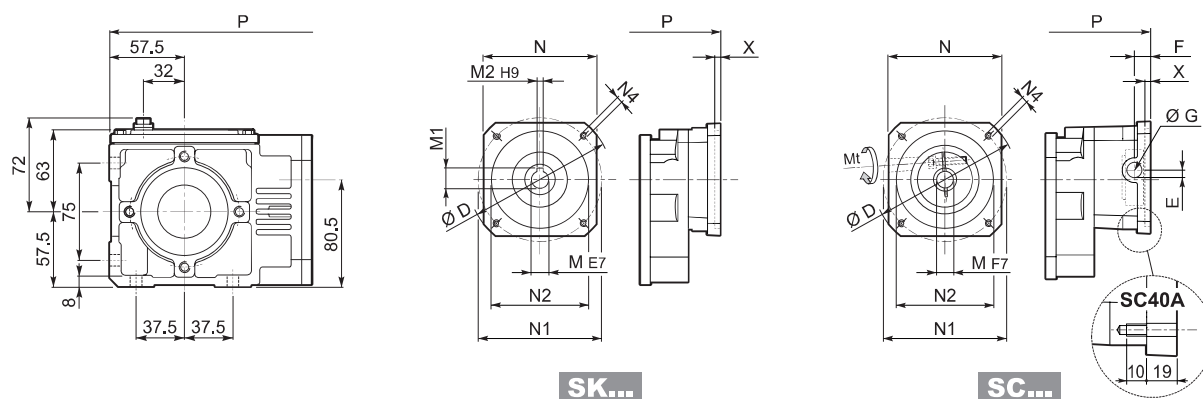
INPUT

		M	M1	M2	N	N1	N2	N3	N4	X	P	Kg
A 05 2	P71	14	16.3	5	160	130	110	7	9.5	4	213	5
A 05 2	P80	19	20.8#	6	200	165	130	7	11.5	4	223	5.5

Chaveta rebajada suministrada por Bonfiglioli.



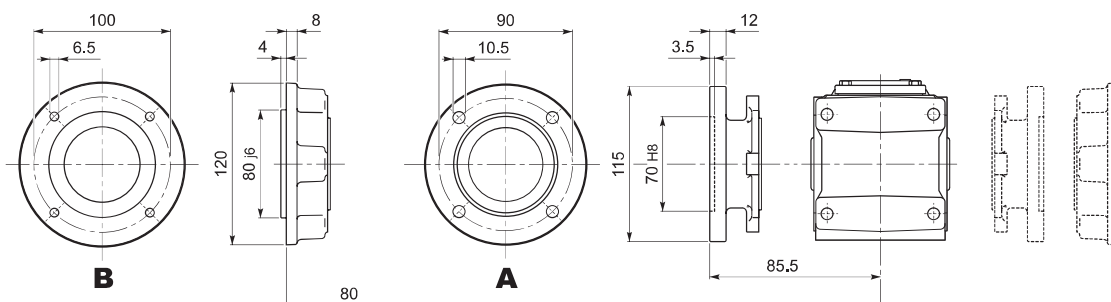
A 05...SK / SC

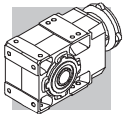


		D	M	M1	M2	N	N1	N2	N4	X	P	
A 05 2	SK40A	74	9	10.4	3	55	63	40	M5x10	3	207.5	5
A 05 2	SK60A	102	11	12.8	4	82	75	60	M5x10	3.5	206	5
A 05 2	SK60B	102	14	16.3	5	82	75	60	M5x10	4	213	5
A 05 2	SK80A	115	14	16.3	5	90	100	80	M6x12	4	213	5

			Mt	D	E	F	G	M	N	N1	N2	N4	X	P	
A 05 2	SC40A	M5	15 Nm	74	10.5	9.5	12.5	9	55	63	40	M5x10	3	226.5	6
A 05 2	SC60A	M6	15 Nm	102	7	12.5	12.5	11	82	75	60	M5x10	4	233	6
A 05 2	SC60B	M6	15 Nm	102	7	12.5	12.5	14	82	75	60	M5x10	4	233	6
A 05 2	SC80A	M6	15 Nm	115	6	12.5	12.5	14	90	100	80	M6x12	4	233	6

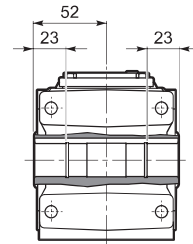
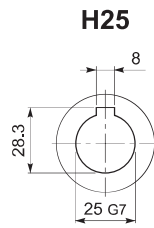
A 05...F...



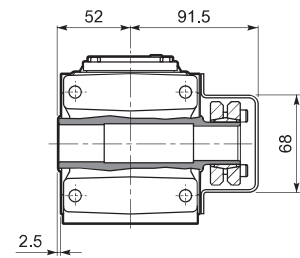
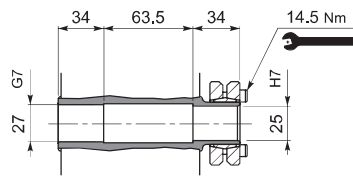


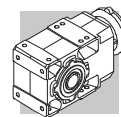
A 05

A 05...UH

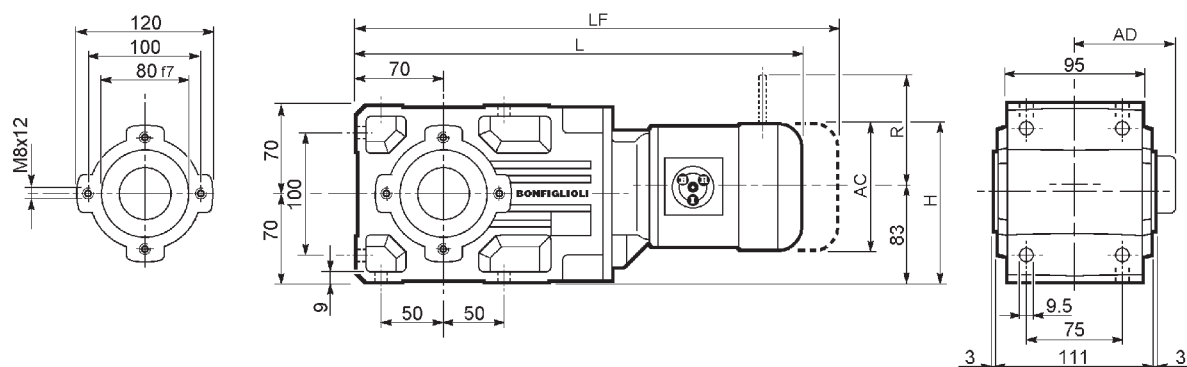


A 05...US

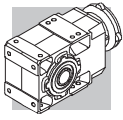




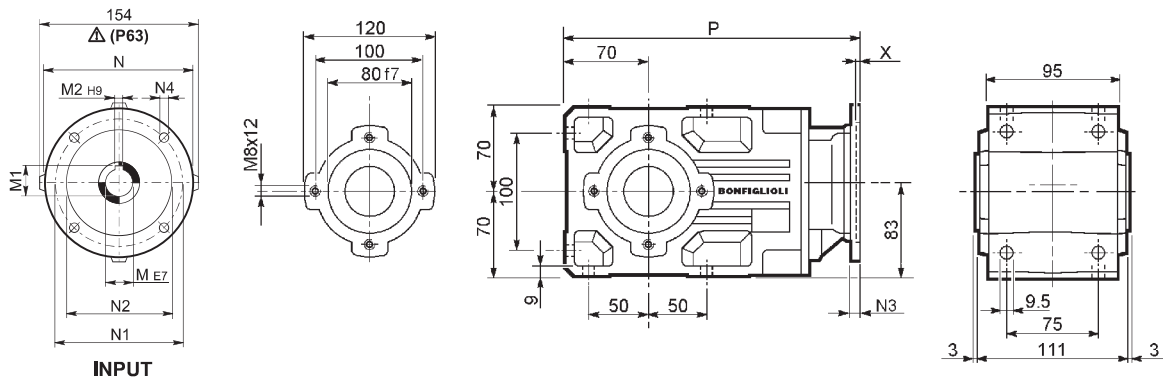
A 10...M/ME



			AC	H	L	AD	Kg	M...FD M...FA		M...FD		M...FA				
								LF	Kg	R	AD	R	AD			
			A 10 2	S05	M05	121	143.5	408.5	95	12	474.5	14	96	122	116	95
A 10 2	S1	M1	138	152	437.5	108	14	498.5	17	103	135	124	108			
A 10 2	S2	ME2S	156	161	466.5	119	18	—	—	—	—	—	—			
A 10 2	S3	ME3S	195	180.5	509.5	142	24.5	—	—	—	—	—	—			
A 10 2	S3	ME3L	195	180.5	541.5	142	30	—	—	—	—	—	—			

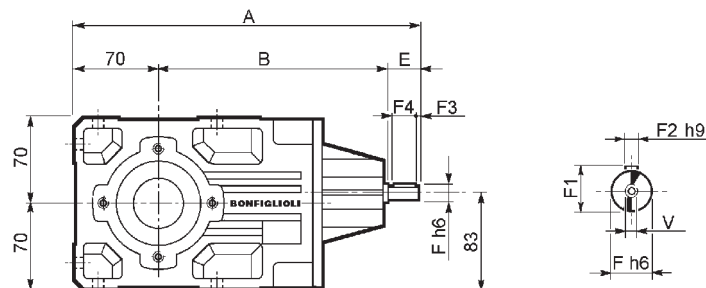


A 10...P(IEC)

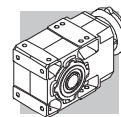


		M	M1	M2	N	N1	N2	N3	N4	X	P	kg		
		A 10 2	P63	11	12.8	4	140	115	95	—	M8x10	4	282.5	8
		A 10 2	P71	14	16.3	5	160	130	110	—	M8x10	4.5	282.5	9
		A 10 2	P80	19	21.8	6	200	165	130	—	M10x12	4	302	9
		A 10 2	P90	24	27.3	8	200	165	130	—	M10x12	4	302	9
		A 10 2	P100	28	31.3	8	250	215	180	—	M12x16	4.5	312	13
		A 10 2	P112	28	31.3	8	250	215	180	—	M12x16	4.5	312	13

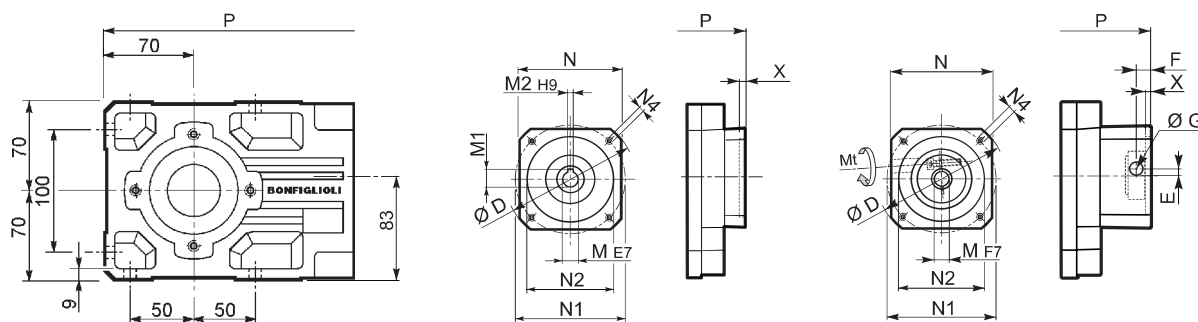
A 10...HS



		A	B	E	F	F1	F2	F3	F4	V	kg		
		A 10 2	HS	289.5	179.5	40	16	18	5	2.5	35	M6x16	7.8



A 10...SK / SC



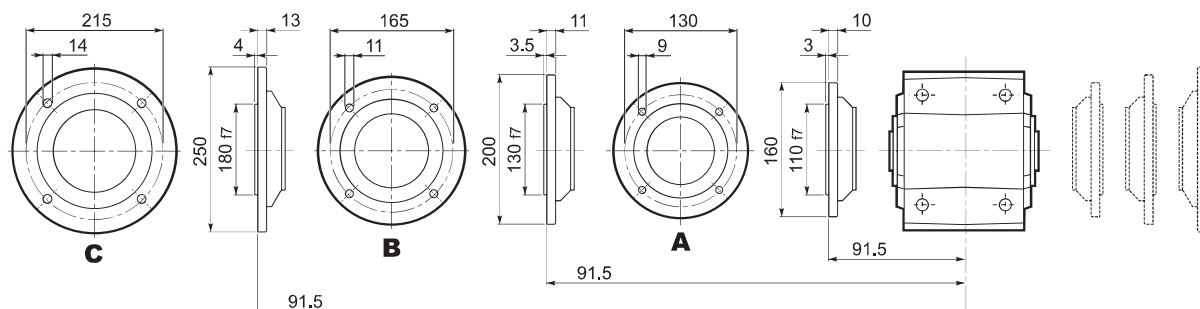
SK...

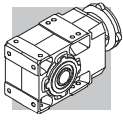
SC...

		D	M	M1	M2	N	N1	N2	N4	X	P	Kg
		102	11	12.8	4	82	75	60	M5x10	3.5	254	8
		102	14	16.3	5	82	75	60	M5x10	4	261	8
		115	14	16.3	5	90	100	80	M6x12	4	261	8
		120	19	21.8	6	96	100	80	M6x12	4	302	9
		130	14	16.3	5	102	115	95	M8x12	4	302	9
		130	19	21.8	6	102	115	95	M8x12	4	302	9
		130	24	27.3	8	102	115	95	M8x12	4	302	9
		150	19	21.8	6	120	130	110	M8x12	5	302	9
		150	24	27.3	8	120	130	110	M8x12	5	302	9

		Mt	D	E	F	G	M	N	N1	N2	N4	X	P	Kg
		M6 15 Nm	102	7	12.5	12.5	11	82	75	60	M5x10	4	281	9
		M6 15 Nm	102	7	12.5	12.5	14	82	75	60	M5x10	4	281	9
		M6 15 Nm	115	6	12.5	12.5	14	90	100	80	M6x12	4	281	9
		M6 15 Nm	120	15.5	14.5	17.75	19	96	100	80	M6x12	4	325.5	10
		M6 15 Nm	130	16.5	15	17.75	14	102	115	95	M8x16	4	325.5	10
		M6 15 Nm	130	16.5	15	17.75	19	102	115	95	M8x16	4	325.5	10
		M6 15 Nm	130	16.5	15	17.75	24	102	115	95	M8x16	4	325.5	10
		M6 15 Nm	150	16.5	16	17.75	19	120	130	110	M8x16	5	325.5	12
		M6 15 Nm	150	16.5	16	17.75	24	120	130	110	M8x16	5	325.5	12

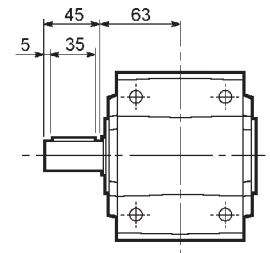
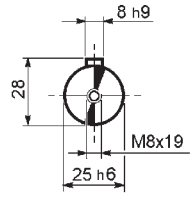
A 10...F...



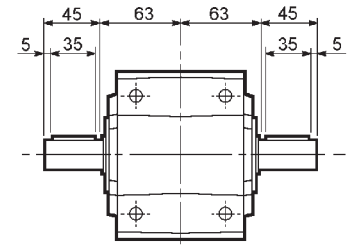
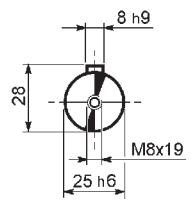


A 10

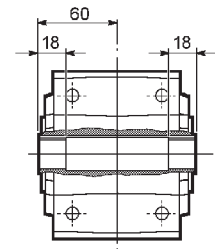
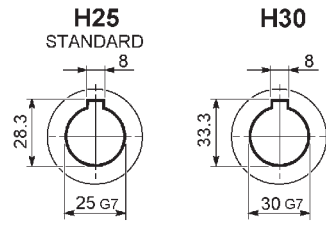
A 10...UR



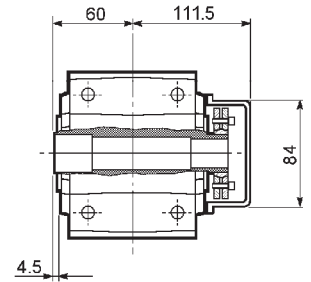
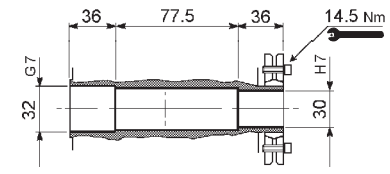
A 10...UD



A 10...UH

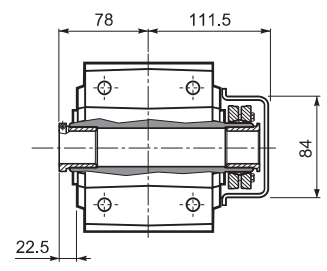
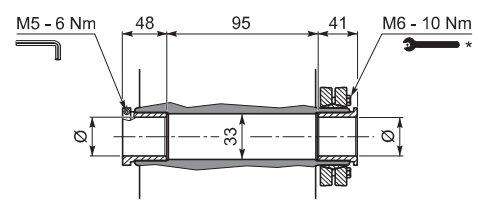


A 10...US

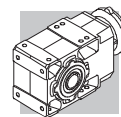


A 10...QF

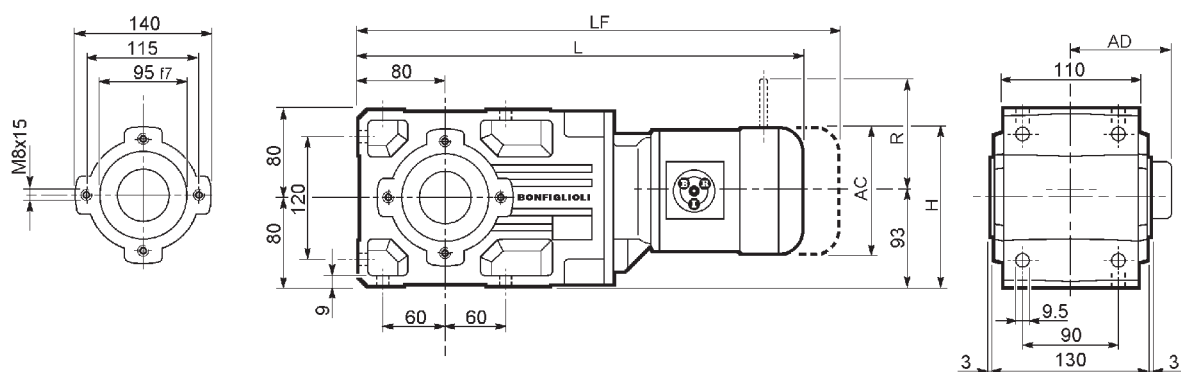
	Ø
QF25	25
QF30	30



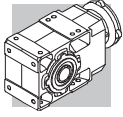
* Atenerse a las INSTRUCCIONES DE MONTAJE suministradas con el reductor.



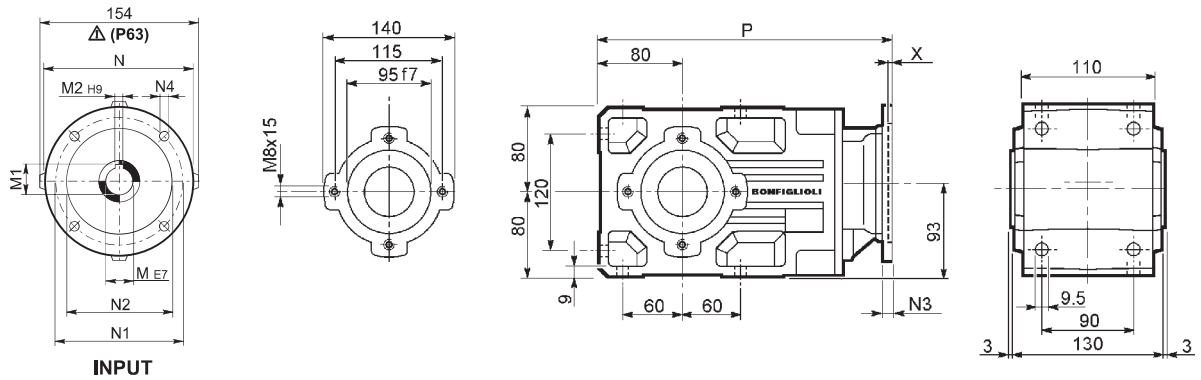
A 20...M/ME



	AC	H	L	AD	Kg	M...FD M...FA		M...FD		M...FA	
						LF	Kg	R	AD	R	AD
A 20 2 S05 M05	121	143.5	432	95	16	498	18	96	122	116	95
A 20 2 S1 M1	138	152	461	108	18	522	21	103	135	124	108
A 20 2 S2 ME2S	156	161	490	119	22	—	—	—	—	—	—
A 20 2 S3 ME3S	195	180.5	533	142	28.5	—	—	—	—	—	—
A 20 2 S3 ME3L	195	180.5	565	142	34	—	—	—	—	—	—
A 20 3 S05 M05	121	143.5	457.5	95	16	553.5	18	96	122	116	95
A 20 3 S1 M1	138	152	486.5	108	19	577.5	21	103	135	124	108
A 20 3 S2 ME2S	156	161	545.5	119	23	—	—	—	—	—	—
A 20 3 S3 ME3S	195	180.5	588.5	142	29.5	—	—	—	—	—	—
A 20 3 S3 ME3L	195	180.5	620.5	142	35	—	—	—	—	—	—

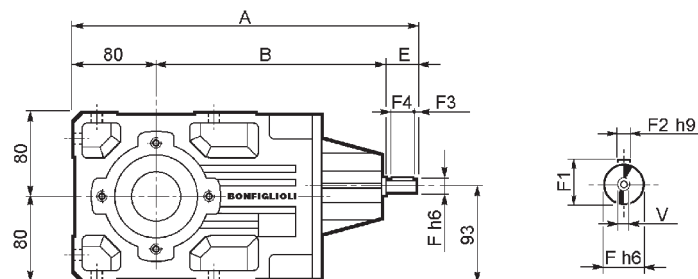


A 20...P(IEC)

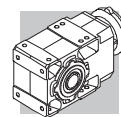


		M	M1	M2	N	N1	N2	N3	N4	X	P	Kg		
		A 20 2	P63	11	12.8	4	140	115	95	—	M8x19	4	306	12
		A 20 2	P71	14	16.3	5	160	130	110	—	M8x16	4.5	306	12
		A 20 2	P80	19	21.8	6	200	165	130	—	M10x12	4	325.5	13
		A 20 2	P90	24	27.3	8	200	165	130	—	M10x12	4	325.5	13
		A 20 2	P100	28	31.3	8	250	215	180	—	M12x16	4.5	335.5	17
		A 20 2	P112	28	31.3	8	250	215	180	—	M12x16	4.5	335.5	17
		A 20 3	P63	11	12.8	4	140	115	95	—	M8x19	4	361.5	13
		A 20 3	P71	14	16.3	5	160	130	110	—	M8x16	4.5	361.5	13
		A 20 3	P80	19	21.8	6	200	165	130	—	M10x12	4	381	14
		A 20 3	P90	24	27.3	8	200	165	130	—	M10x12	4	381	14
		A 20 3	P100	28	31.3	8	250	215	180	—	M12x16	4.5	391	18
		A 20 3	P112	28	31.3	8	250	215	180	—	M12x16	4.5	391	18

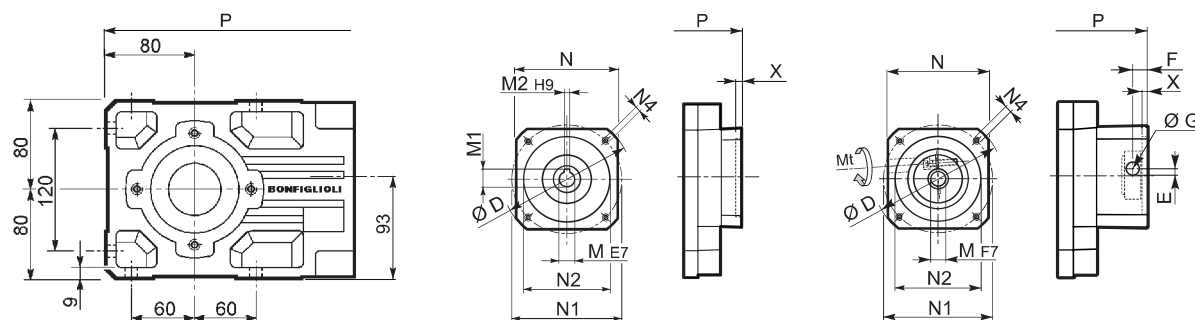
A 20...HS



		A	B	E	F	F1	F2	F3	F4	V	Kg		
		A 20 2	HS	356	236	40	19	21.5	6	2.5	35	M6x16	11.9
		A 20 3	HS	368.5	248.5	40	16	18	5	2.5	35	M6x16	12.2



A 20...SK / SC



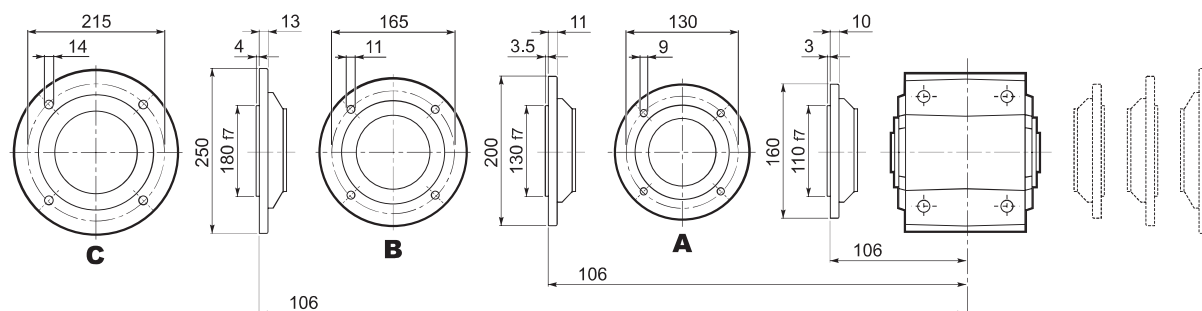
SK...

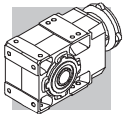
SC...

		D	M	M1	M2	N	N1	N2	N4	X	P		Kg
											2x	3x	
A 20 2/3	SK60A	102	11	12.8	4	82	75	60	M5x10	3.5	277.5	333	11/12
A 20 2/3	SK60B	102	14	16.3	5	82	75	60	M5x10	4	284.5	340	12/13
A 20 2/3	SK80A	115	14	16.3	5	90	100	80	M6x12	4	284.5	340	12/13
A 20 2/3	SK80C	120	19	21.8	6	96	100	80	M6x12	4	325.5	381	13/14
A 20 2/3	SK95A	130	14	16.3	5	102	115	95	M8x12	4	325.5	381	13/14
A 20 2/3	SK95B	130	19	21.8	6	102	115	95	M8x12	4	325.5	381	13/14
A 20 2/3	SK95C	130	24	27.3	8	102	115	95	M8x12	4	325.5	381	13/14
A 20 2/3	SK110A	150	19	21.8	6	120	130	110	M8x12	5	325.5	381	13/14
A 20 2/3	SK110B	150	24	27.3	8	120	130	110	M8x12	5	325.5	381	13/14

		Mt	D	E	F	G	M	N	N1	N2	N4	X	P		Kg
													2x	3x	
A 20 2/3	SC60A	M6 15 Nm	102	7	12.5	12.5	11	82	75	60	M5x10	4	304.5	360	12/13
A 20 2/3	SC60B	M6 15 Nm	102	7	12.5	12.5	14	82	75	60	M5x10	4	304.5	360	13/14
A 20 2/3	SC80A	M6 15 Nm	115	6	12.5	12.5	14	90	100	80	M6x12	4	304.5	360	13/14
A 20 2/3	SC80C	M6 15 Nm	120	15.5	14.5	17.75	19	96	100	80	M6x12	4	349	404.5	14/15
A 20 2/3	SC95A	M6 15 Nm	130	16.5	15	17.75	14	102	115	95	M8x16	4	349	404.5	14/15
A 20 2/3	SC95B	M6 15 Nm	130	16.5	15	17.75	19	102	115	95	M8x16	4	349	404.5	14/15
A 20 2/3	SC95C	M6 15 Nm	130	16.5	15	17.75	24	102	115	95	M8x16	4	349	404.5	14/15
A 20 2/3	SC110A	M6 15 Nm	150	16.5	16	17.75	19	120	130	110	M8x16	5	349	404.5	15/16
A 20 2/3	SC110B	M6 15 Nm	150	16.5	16	17.75	24	120	130	110	M8x16	5	349	404.5	15/16

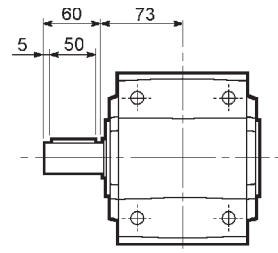
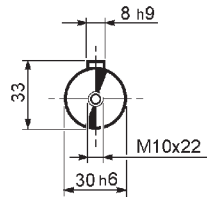
A 20...F...



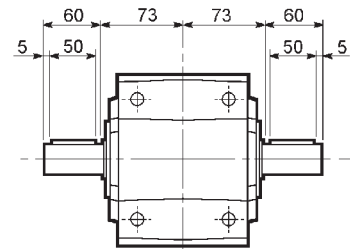
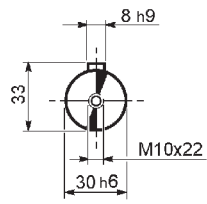


A 20

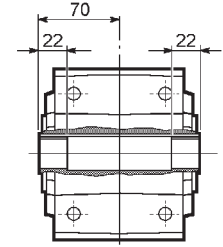
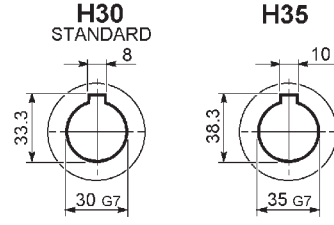
A 20...UR



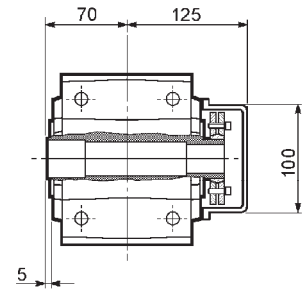
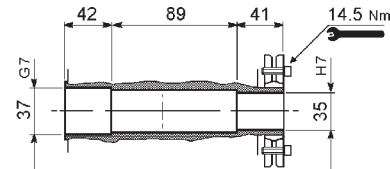
A 20...UD



A 20...UH

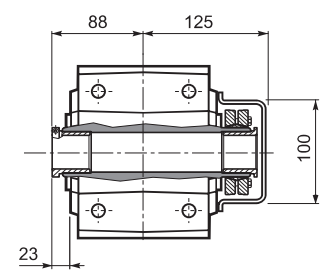
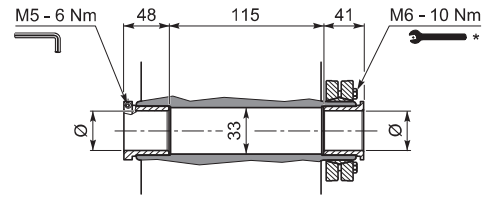


A 20...US

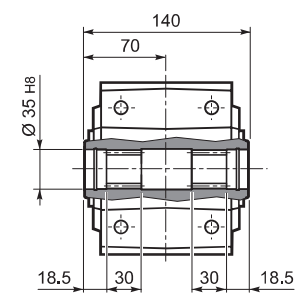


A 20...QF

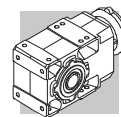
	Ø
QF25	25
QF30	30



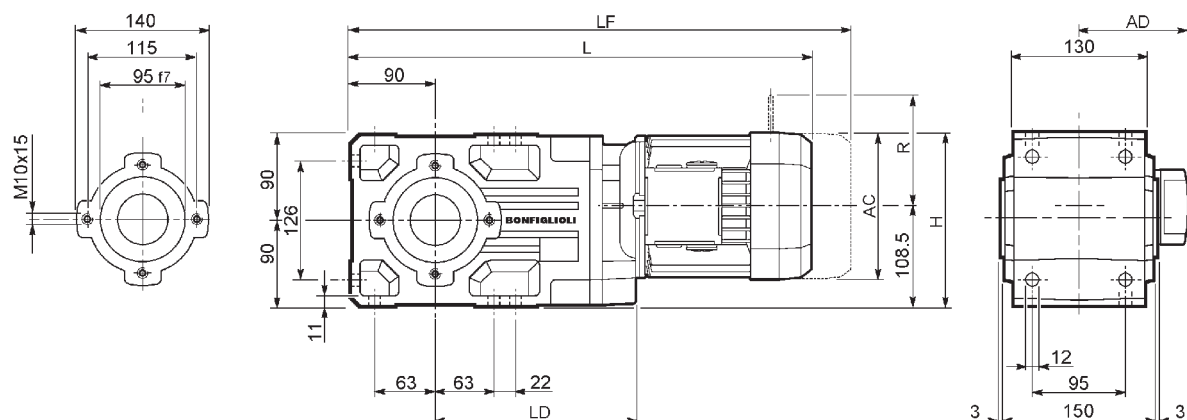
A 20...UV








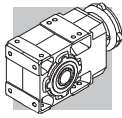
* Atenerse a las INSTRUCCIONES DE MONTAJE suministradas con el reductor.



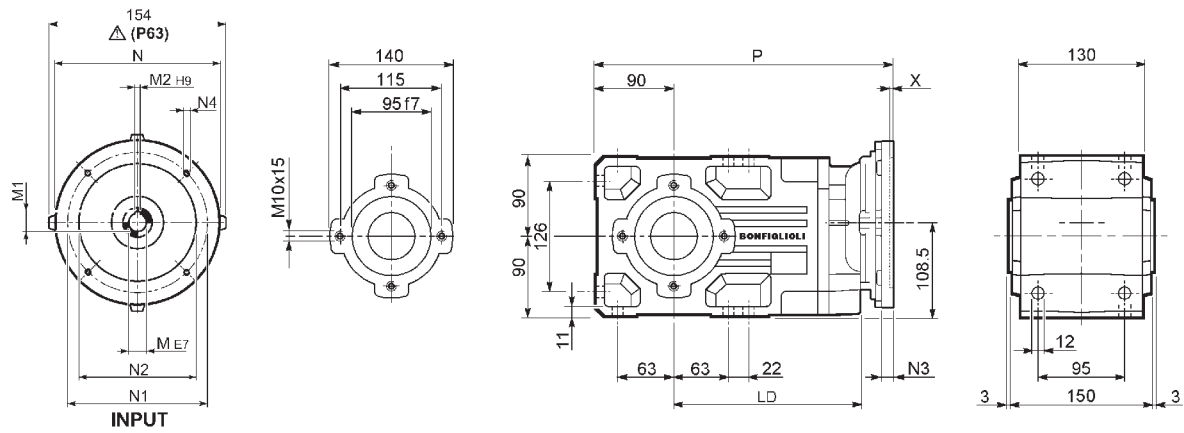
A 30...M/ME



  	AC	H	L	LD	AD		M...FD M...FA		M...FD		M...FA	
							LF		R	AD	R	AD
A 30 2 S1 M1	138	177.5	488	201	108	22	549	24	103	135	124	108
A 30 2 S2 ME2S	156	186.5	517	213	119	25	—	—	—	—	—	—
A 30 2 S3 ME3S	195	206	560	223	142	31.5	—	—	—	—	—	—
A 30 2 S3 ME3L	195	206	592	223	142	38	—	—	—	—	—	—
A 30 3 S05 M05	121	169	516.5	—	95	21	582.5	22	96	122	116	95
A 30 3 S1 M1	138	177.5	545.5	—	108	23	606.5	26	103	135	124	108
A 30 3 S2 ME2S	156	186.5	574.5	—	119	25	—	—	—	—	—	—
A 30 3 S3 ME3S	195	206	617.5	—	142	31.5	—	—	—	—	—	—
A 30 3 S3 ME3L	195	206	649.5	—	142	38	—	—	—	—	—	—

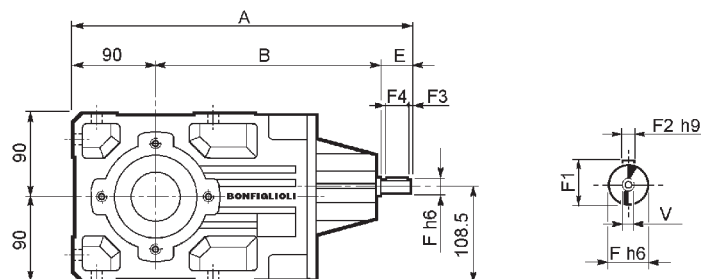


A 30...P(IEC)

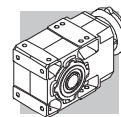


		LD	M	M1	M2	N	N1	N2	N3	N4	X	P	kg
A 30 2	P63	213	11	12.8	4	140	115	95	—	M8x19	4	333	16
A 30 2	P71	213	14	16.3	5	160	130	110	—	M8x16	4.5	333	16
A 30 2	P80	223	19	21.8	6	200	165	130	—	M10x12	4	352.5	17
A 30 2	P90	223	24	27.3	8	200	165	130	—	M10x12	4	352.5	17
A 30 2	P100	223	28	31.3	8	250	215	180	—	M12x16	4.5	362.5	20
A 30 2	P112	223	28	31.3	8	250	215	180	—	M12x16	4.5	362.5	20
A 30 3	P63	—	11	12.8	4	140	115	95	—	M8x19	4	390.5	17
A 30 3	P71	—	14	16.3	5	160	130	110	—	M8x16	4.5	390.5	17
A 30 3	P80	—	19	21.8	6	200	165	130	—	M10x12	4	410	18
A 30 3	P90	—	24	27.3	8	200	165	130	—	M10x12	4	410	18
A 30 3	P100	—	28	31.3	8	250	215	180	—	M12x16	4.5	420	22
A 30 3	P112	—	28	31.3	8	250	215	180	—	M12x16	4.5	420	22

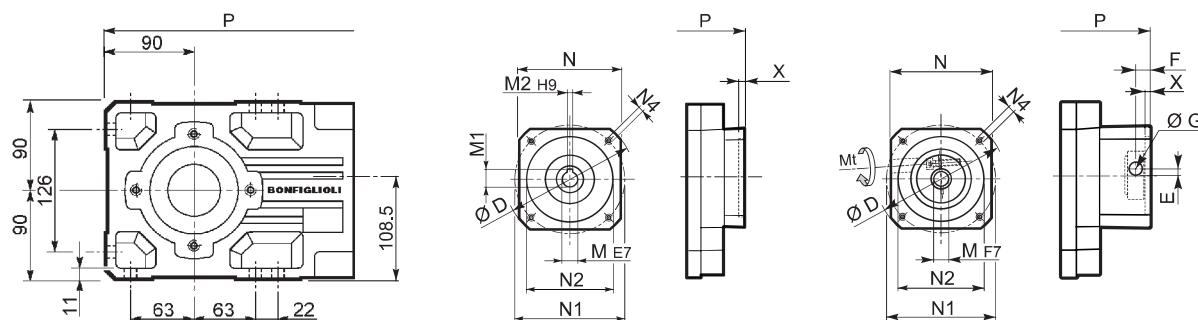
A 30...HS



		A	B	E	F	F1	F2	F3	F4	V	kg
A 30 2	HS	383	253	40	19	21.5	6	2.5	35	M6x16	16.7
A 30 3		397.5	267.5	40	16	18	5	2.5	35	M6x16	16.5



A 30...SK / SC



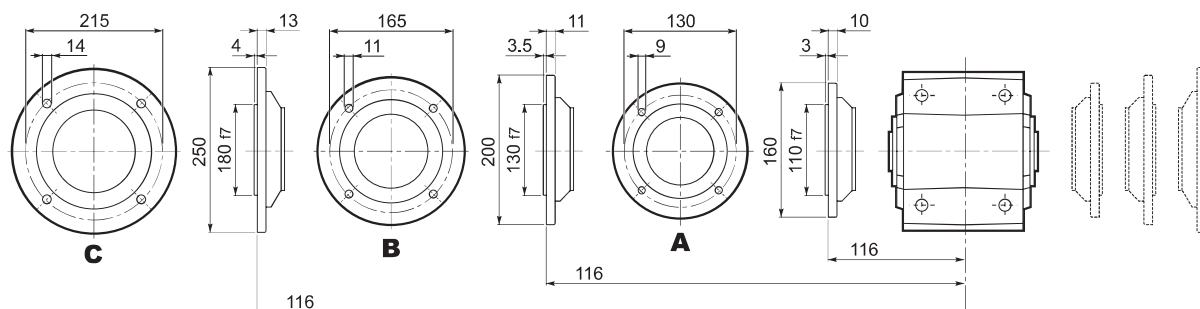
SK...

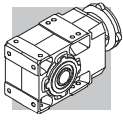
SC...

		D	M	M1	M2	N	N1	N2	N4	X	P		Kg
											2x	3x	
A 30 2/3	SK60A	102	11	12.8	4	82	75	60	M5x10	3.5	304.5	362	15/16
A 30 2/3	SK60B	102	14	16.3	5	82	75	60	M5x10	4	311.5	369	16/17
A 30 2/3	SK80A	115	14	16.3	5	90	100	80	M6x12	4	311.5	369	16/17
A 30 2/3	SK80C	120	19	21.8	6	96	100	80	M6x12	4	352.5	410	17/18
A 30 2/3	SK95A	130	14	16.3	5	102	115	95	M8x12	4	352.5	410	17/18
A 30 2/3	SK95B	130	19	21.8	6	102	115	95	M8x12	4	352.5	410	17/18
A 30 2/3	SK95C	130	24	27.3	8	102	115	95	M8x12	4	352.5	410	17/18
A 30 2/3	SK110A	150	19	21.8	6	120	130	110	M8x12	5	352.5	410	17/18
A 30 2/3	SK110B	150	24	27.3	8	120	130	110	M8x12	5	352.5	410	17/18
A 30 2	SK130A	188	24	27.3	8	142	165	130	M10x20	5	352.5	—	18

		Mt	D	E	F	G	M	N	N1	N2	N4	X	P		Kg
													2x	3x	
A 30 2/3	SC60A	M6 15 Nm	102	7	12.5	12.5	11	82	75	60	M5x10	4	331.5	389	16/17
A 30 2/3	SC60B	M6 15 Nm	102	7	12.5	12.5	14	82	75	60	M5x10	4	331.5	389	17/18
A 30 2/3	SC80A	M6 15 Nm	115	6	12.5	12.5	14	90	100	80	M6x12	4	331.5	389	17/18
A 30 2/3	SC80C	M6 15 Nm	120	15.5	14.5	17.75	19	96	100	80	M6x12	4	376	433.5	18/19
A 30 2/3	SC95A	M6 15 Nm	130	16.5	15	17.75	14	102	115	95	M8x16	4	376	433.5	18/19
A 30 2/3	SC95B	M6 15 Nm	130	16.5	15	17.75	19	102	115	95	M8x16	4	376	433.5	18/19
A 30 2/3	SC95C	M6 15 Nm	130	16.5	15	17.75	24	102	115	95	M8x16	4	376	433.5	18/19
A 30 2/3	SC 110A	M6 15 Nm	150	16.5	16	17.75	19	120	130	110	M8x16	5	376	433.5	19/20
A 30 2/3	SC 110B	M6 15 Nm	150	16.5	16	17.75	24	120	130	110	M8x16	5	376	433.5	19/20
A 30 2	SC 130A	M6 15 Nm	188	19	16	17.75	24	142	165	130	M10x20	5	376	—	20

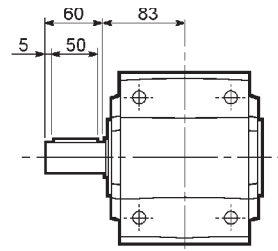
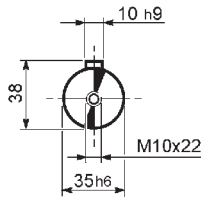
A 30...F...



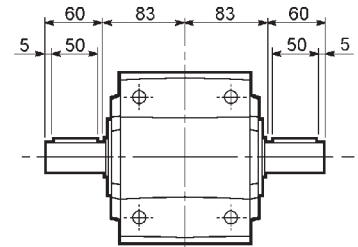
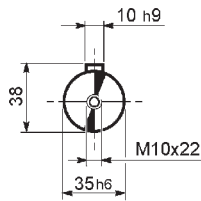


A 30

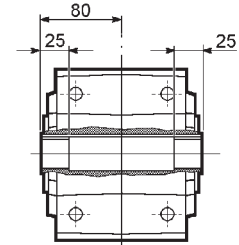
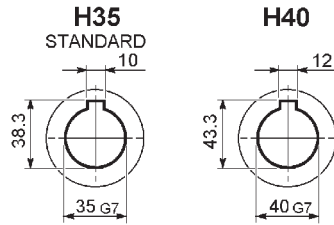
A 30...UR



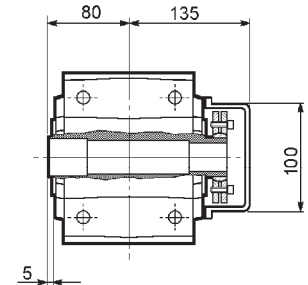
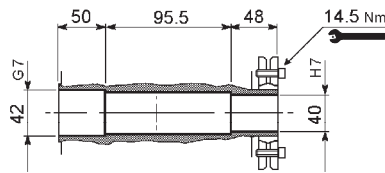
A 30...UD



A 30...UH

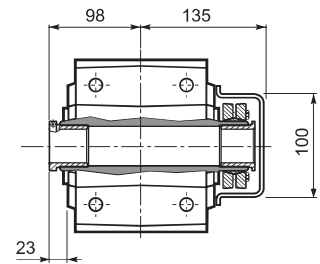
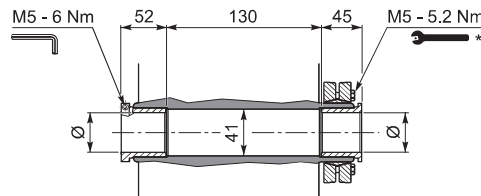


A 30...US

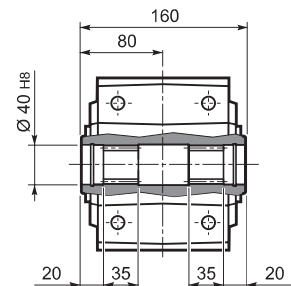


A 30...QF

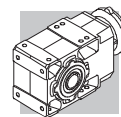
	Ø
QF35	35
QF40	40



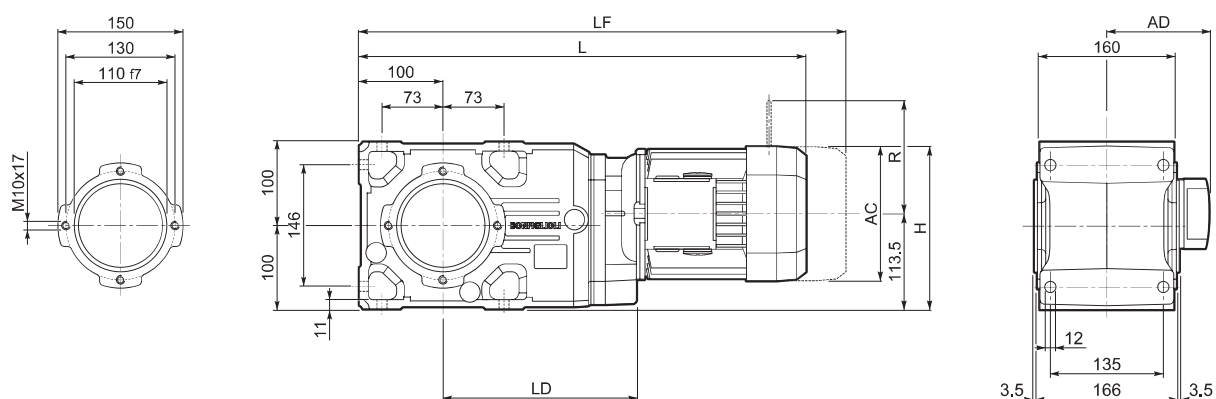
A 30...UV



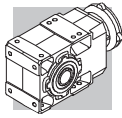
* Atenerse a las INSTRUCCIONES DE MONTAJE suministradas con el reductor.



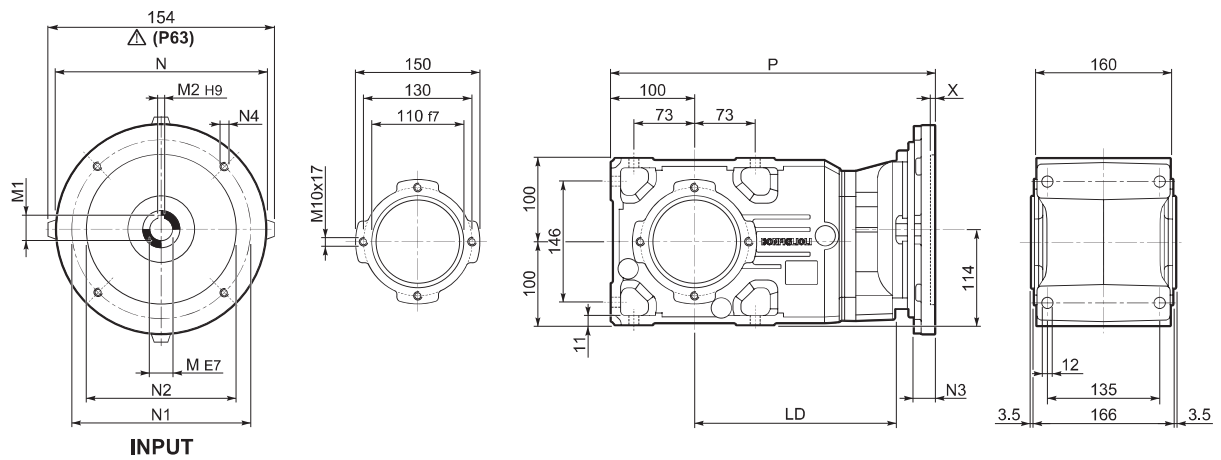
A 35...M/ME



	AC	H	L	LD	AD	Kg	M...FD M...FA		M...FD		M...FA	
							LF	Kg	R	AD	R	AD
A 35 2 S1 M1	138	182.5	514.5	217.5	108	34	575.5	36	103	135	124	108
A 35 2 S2 ME2S	156	191.5	543.5	229.5	119	37	—	—	—	—	—	—
A 35 2 S3 ME3S	195	211	586.5	239.5	142	43.5	—	—	—	—	—	—
A 35 2 S3 ME3L	195	211	618.5	239.5	142	50	—	—	—	—	—	—
A 35 2 S4 ME4	258	242.5	726.5	—	193	89	—	—	—	—	—	—
A 35 2 S4 ME4LB	258	242.5	761.5	—	193	97	—	—	—	—	—	—
A 35 3 S05 M05S	121	174	543	—	95	33	609	34	96	122	116	95
A 35 3 S1 M1	138	182.5	572	—	108	35	633	38	103	135	124	108
A 35 3 S2 ME2S	156	191.5	601	—	119	37	—	—	—	—	—	—
A 35 3 S3 ME3S	195	211	644	—	142	43.5	—	—	—	—	—	—
A 35 3 S3 ME3L	195	211	676	—	142	50	—	—	—	—	—	—

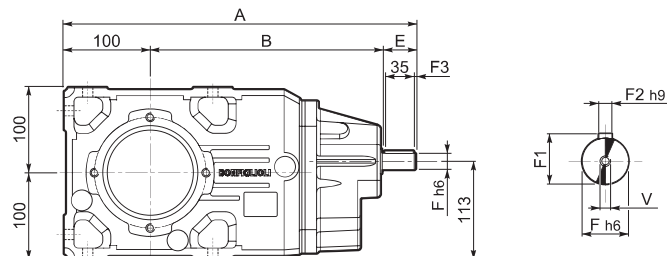


A 35...P(IEC)

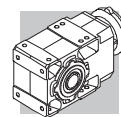


		LD	M	M1	M2	N	N1	N2	N3	N4	X	P	
A 35 2	P63	229.5	11	12.8	4	140	115	95	—	M8x19	4	359.5	28
A 35 2	P71	229.5	14	16.3	5	160	130	110	—	M8x16	4.5	359.5	28
A 35 2	P80	239.5	19	21.8	6	200	165	130	—	M10x12	4	379	29
A 35 2	P90	239.5	24	27.3	8	200	165	130	—	M10x12	4	379	29
A 35 2	P100	239.5	28	31.3	8	250	215	180	—	M12x16	4.5	389	32
A 35 2	P112	239.5	28	31.3	8	250	215	180	—	M12x16	4.5	389	32
A 35 2	P132	—	38	41.3	10	300	265	230	16	14	5	425.5	40
A 35 3	P63	—	11	12.8	4	140	115	95	—	M8x19	4	417	29
A 35 3	P71	—	14	16.3	5	160	130	110	—	M8x16	4.5	417	29
A 35 3	P80	—	19	21.8	6	200	165	130	—	M10x12	4	436.5	30
A 35 3	P90	—	24	27.3	8	200	165	130	—	M10x12	4	436.5	30
A 35 3	P100	—	28	31.3	8	250	215	180	—	M12x16	4.5	446.5	34
A 35 3	P112	—	28	31.3	8	250	215	180	—	M12x16	4.5	446.5	34

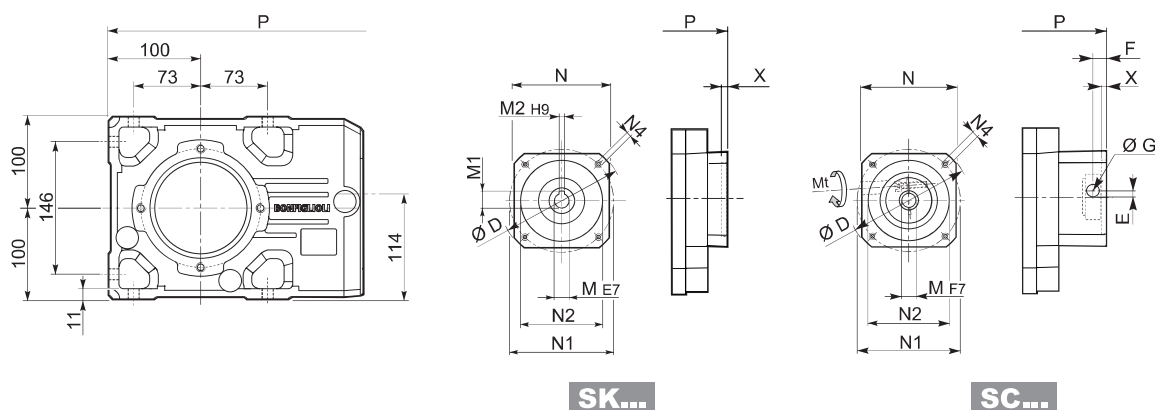
A 35...HS



		A	B	E	F	F1	F2	F3	F4	V	
A 35 2	HS	409.5	269.5	40	19	21.5	6	2.5	35	M6x16	29
A 35 3		424	284	40	16	18	5	2.5	35	M6x16	29



A 35...SK / SC



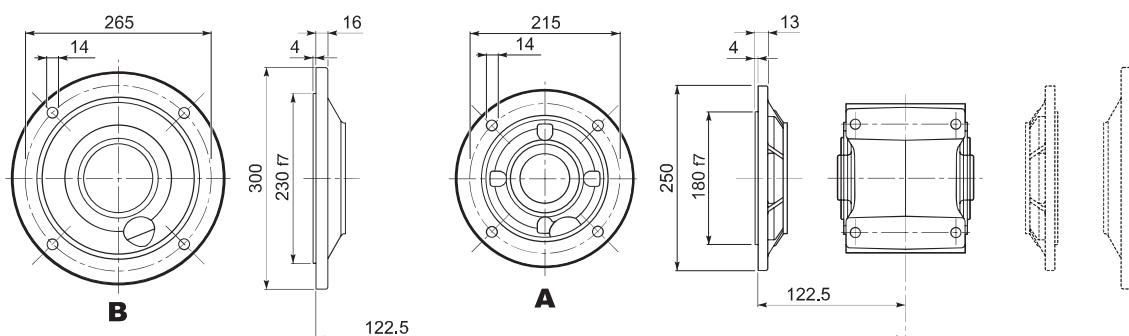
SK...

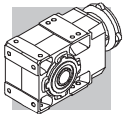
SC...

Image	Code	D	M	M1	M2	N	N1	N2	N4	X	P		Kg
											2x	3x	
	SK60A	102	11	12.8	4	82	75	60	M5x10	3.5	331	388.5	27/28
	SK60B	102	14	16.3	5	82	75	60	M5x10	4	338	395.5	28/29
	SK80A	115	14	16.3	5	90	100	80	M6x12	4	338	395.5	28/29
	SK80C	120	19	21.8	6	96	100	80	M6x12	4	379	436.5	29/30
	SK95A	130	14	16.3	5	102	115	95	M8x12	4	379	436.5	29/30
	SK95B	130	19	21.8	6	102	115	95	M8x12	4	379	436.5	29/30
	SK95C	130	24	27.3	8	102	115	95	M8x12	4	379	436.5	29/30
	SK110A	150	19	21.8	6	120	130	110	M8x12	5	379	436.5	29/30
	SK110B	150	24	27.3	8	120	130	110	M8x12	5	379	436.5	29/30
	SK130A	188	24	27.3	8	142	165	130	M10x20	5	379	—	30

Image	Code	Mt		D	E	F	G	M	N	N1	N2	N4	X	P		Kg
		2x	3x													
	SC60A	M6	15 Nm	102	7	12.5	12.5	11	82	75	60	M5x10	4	358	415.5	28/29
	SC60B	M6	15 Nm	102	7	12.5	12.5	14	82	75	60	M5x10	4	358	415.5	29/30
	SC80A	M6	15 Nm	115	6	12.5	12.5	14	90	100	80	M6x12	4	358	415.5	29/30
	SC80C	M6	15 Nm	120	15.5	14.5	17.75	19	96	100	80	M6x12	4	402.5	460	30/31
	SC95A	M6	15 Nm	130	16.5	15	17.75	14	102	115	95	M8x16	4	402.5	460	30/31
	SC95B	M6	15 Nm	130	16.5	15	17.75	19	102	115	95	M8x16	4	402.5	460	30/31
	SC95C	M6	15 Nm	130	16.5	15	17.75	24	102	115	95	M8x16	4	402.5	460	30/31
	SC110A	M6	15 Nm	150	16.5	16	17.75	19	120	130	110	M8x16	5	402.5	460	32/33
	SC110B	M6	15 Nm	150	16.5	16	17.75	24	120	130	110	M8x16	5	402.5	460	32/33
	SC130A	M6	15 Nm	188	19	16	17.75	24	142	165	130	M10x20	5	402.5	—	33

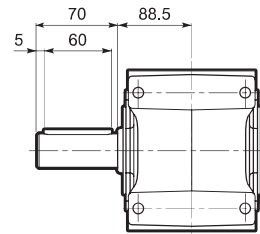
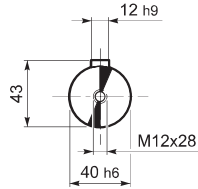
A 35...F...



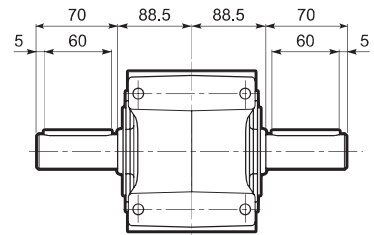
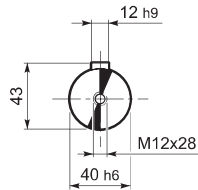


A 35

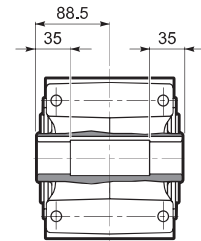
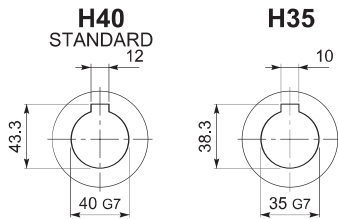
A 35...UR



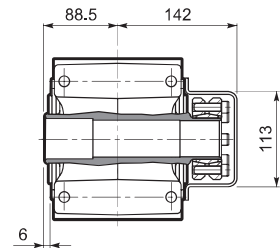
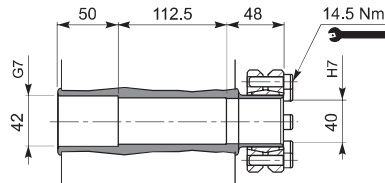
A 35...UD



A 35...UH

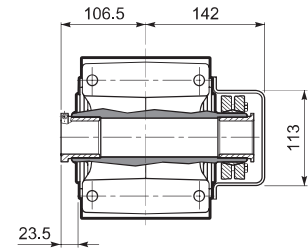
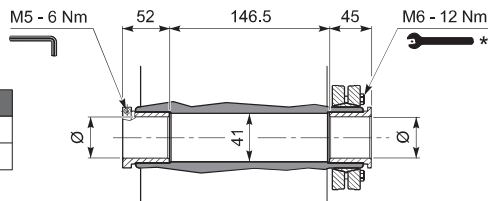


A 35...US

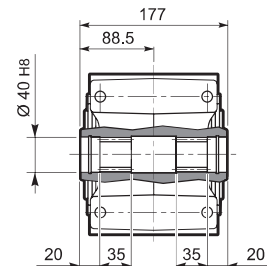


A 35...QF

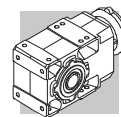
	Ø
QF35	35
QF40	40



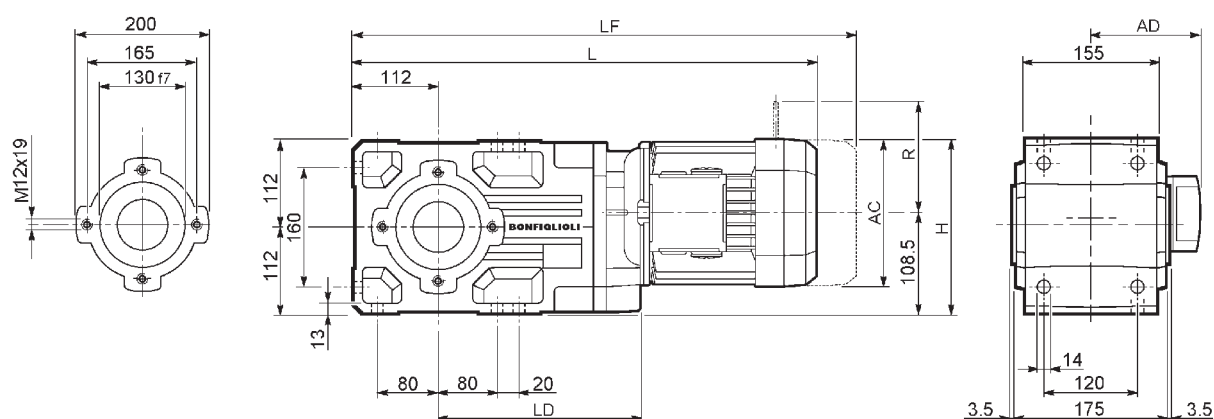
A 35...UV



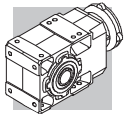
* Atenerse a las INSTRUCCIONES DE MONTAJE suministradas con el reductor.



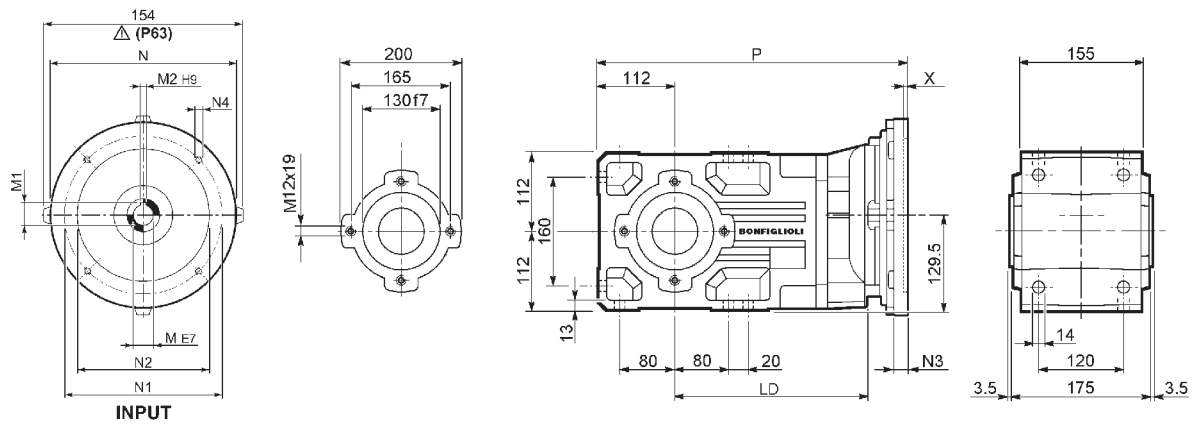
A 41...M/ME



	AC	H	L	LD	AD	Kg	M...FD M...FA		M...FD		M...FA	
							LF	Kg	R	AD	R	AD
A 41 2 S1 M1	138	198.5	530	216.5	108	41	591	44	103	135	124	108
A 41 2 S2 ME2S	156	207.5	559	232	119	45	—	—	—	—	—	—
A 41 2 S3 ME3S	195	227	602	248	142	51.5	—	—	—	—	—	—
A 41 2 S3 ME3L	195	227	634	248	142	58	—	—	—	—	—	—
A 41 2 S4 ME4	258	258.5	742	—	193	92	—	—	—	—	—	—
A 41 2 S4 ME4LB	258	258.5	777	—	193	100	—	—	—	—	—	—
A 41 3 S05 M05	121	245	562.5	—	95	44	628.5	46	96	122	116	95
A 41 3 S1 M1	138	198.5	591.5	—	108	46	652.5	49	103	135	124	108
A 41 3 S2 ME2S	156	207.5	620.5	—	119	50	—	—	—	—	—	—
A 41 3 S3 ME3S	195	227	663.5	—	142	56.5	—	—	—	—	—	—
A 41 3 S3 ME3L	195	227	695.5	—	142	61	—	—	—	—	—	—

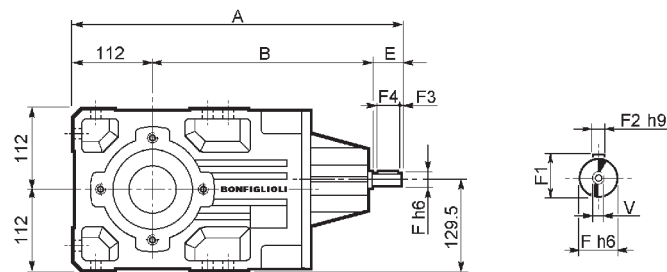


A 41...P(IEC)

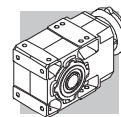


		LD	M	M1	M2	N	N1	N2	N3	N4	X	P	
A 41 2	P63	232	11	12.8	4	140	115	95	—	M8x19	4	375	37
A 41 2	P71	232	14	16.3	5	160	130	110	—	M8x16	4.5	375	38
A 41 2	P80	248	19	21.8	6	200	165	130	—	M10x12	4	394.5	39
A 41 2	P90	248	24	27.3	8	200	165	130	—	M10x12	4	394.5	39
A 41 2	P100	—	28	31.3	8	250	215	180	—	M12x16	4.5	404.5	43
A 41 2	P112	—	28	31.3	8	250	215	180	—	M12x16	4.5	404.5	43
A 41 2	P132	—	38	41.3	10	300	265	230	16	14	5	441	46
A 41 3	P63	—	11	12.8	4	140	115	95	—	M8x19	4	436.5	39
A 41 3	P71	—	14	16.3	5	160	130	110	—	M8x16	4.5	436.5	39
A 41 3	P80	—	19	21.8	6	200	165	130	—	M10x12	4	456	40
A 41 3	P90	—	24	27.3	8	200	165	130	—	M10x12	4	456	40
A 41 3	P100	—	28	31.3	8	250	215	180	—	M12x16	4.5	466	44
A 41 3	P112	—	28	31.3	8	250	215	180	—	M12x16	4.5	466	44

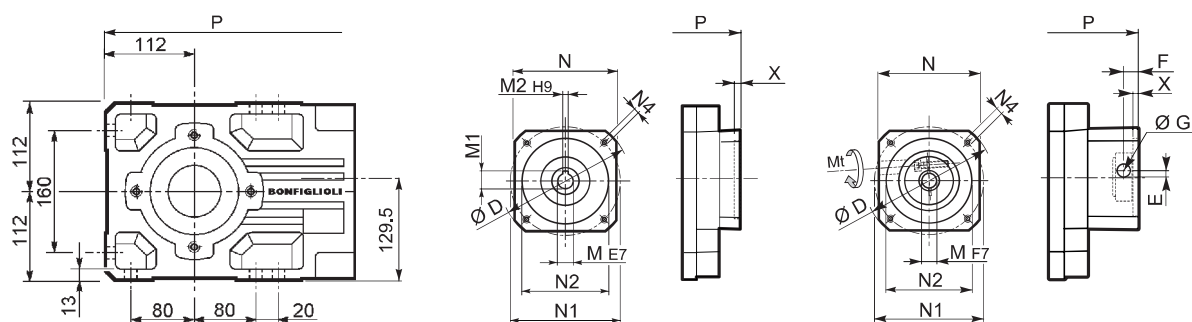
A 41...HS



		A	B	E	F	F1	F2	F3	F4	V	
A 41 2	HS	464	302.5	50	24	27	8	2.5	45	M8x19	40.7
A 41 3		486.5	334.5	40	19	21.5	6	2.5	35	M6x16	39.5



A 41...SK / SC



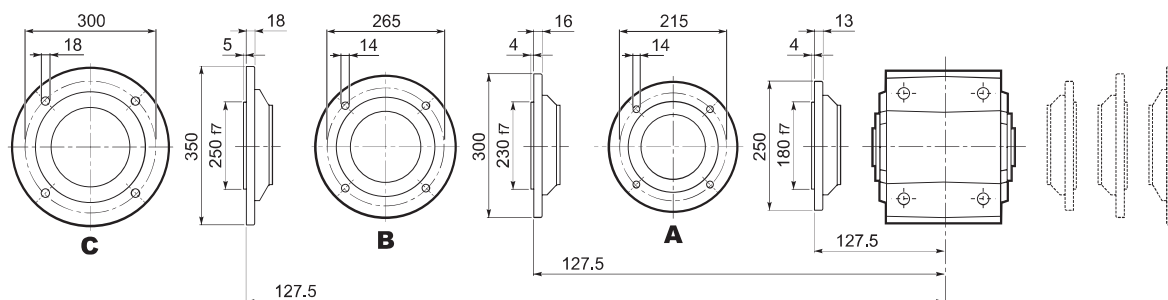
SK...

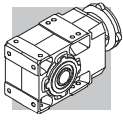
SC...

Image	Code	D	M	M1	M2	N	N1	N2	N4	X	P		Kg
											2x	3x	
	A41 3 SK60A	102	11	12.8	4	82	75	60	M5x10	3.5	—	408	40
	A41 3 SK60B	102	14	16.3	5	82	75	60	M5x10	4	—	415	40
	A41 3 SK80A	115	14	16.3	5	90	100	80	M6x12	4	—	415	40
	A41 2 SK80B	120	14	16.3	5	96	100	80	M6x12	4	394.5	—	39
	A41 2/3 SK80C	120	19	21.8	6	96	100	80	M6x12	4	394.5	456	39/40
	A41 2/3 SK95A	130	14	16.3	5	102	115	95	M8x12	4	394.5	456	39/40
	A41 2/3 SK95B	130	19	21.8	6	102	115	95	M8x12	4	394.5	456	39/41
	A41 2/3 SK95C	130	24	27.3	8	102	115	95	M8x12	4	394.5	456	39/44
	A41 2/3 SK110A	150	19	21.8	6	120	130	110	M8x12	5	394.5	456	39/44
	A41 2/3 SK110B	150	24	27.3	8	120	130	110	M8x12	5	394.5	456	39/44
	A41 2 SK130A	188	24	27.3	8	142	165	130	M10x20	5	394.5	—	41
	A41 2 SK130B	189	32	35.3	10	160	165	130	M10x20	5	441	—	43
	A41 2 SK180A	240	32	35.3	10	192	215	180	M12x19	5	441	—	43
	A41 2 SK180B	240	38	41.3	10	192	215	180	M12x19	5	441	—	43

Image	Code	Mt	D	E	F	G	M	N	N1	N2	N4	X	P		Kg
													2x	3x	
	A41 3 SC60A	M6 15 Nm	102	7	12.5	12.5	11	82	75	60	M5x10	4	—	435	41
	A41 3 SC60B	M6 15 Nm	102	7	12.5	12.5	14	82	75	60	M5x10	4	—	435	41
	A41 3 SC80A	M6 15 Nm	115	6	12.5	12.5	14	90	100	80	M6x12	4	—	435	41
	A41 2 SC80B	M6 15 Nm	120	15.5	14.5	17.75	14	96	100	80	M6x12	4	418	—	40
	A41 2/3 SC80C	M6 15 Nm	120	15.5	14.5	17.75	19	96	100	80	M6x12	4	418	479.5	40/41
	A41 2/3 SC95A	M6 15 Nm	130	16.5	15	17.75	14	102	115	95	M8x16	4	418	479.5	40/42
	A41 2/3 SC95B	M6 15 Nm	130	16.5	15	17.75	19	102	115	95	M8x16	4	418	479.5	40/42
	A41 2/3 SC95C	M6 15 Nm	130	16.5	15	17.75	24	102	115	95	M8x16	4	418	479.5	40/43
	A41 2/3 SC110A	M6 15 Nm	150	16.5	16	17.75	19	120	130	110	M8x16	5	418	479.5	41/47
	A41 2/3 SC110B	M6 15 Nm	150	16.5	16	17.75	24	120	130	110	M8x16	5	418	479.5	41/47
	A41 2 SC130A	M6 15 Nm	188	19	16	17.75	24	142	165	130	M10x20	5	418	—	42
	A41 2 SC130B	M8 36 Nm	189	20	17	17.75	32	160	165	130	M10x20	5	464	—	46
	A41 2 SC180A	M8 36 Nm	240	20	17.5	17.75	32	192	215	180	M12x24	5	468	—	46
	A41 2 SC180B	M8 36 Nm	240	20	17.5	17.75	38	192	215	180	M12x24	5	468	—	46

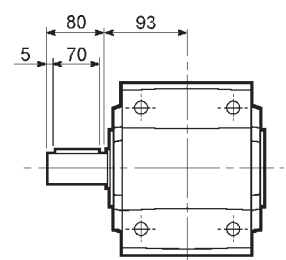
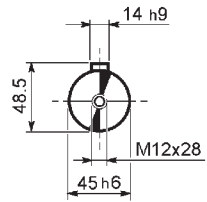
A 41...F...



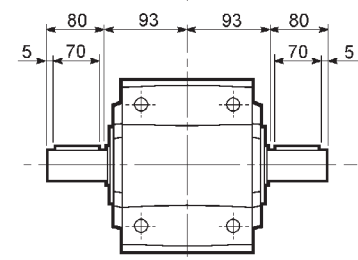
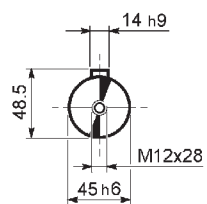


A 41

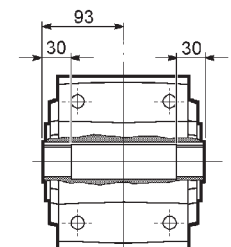
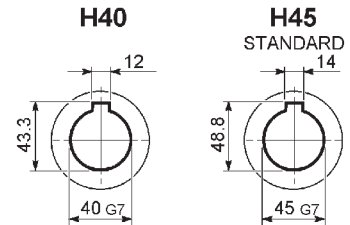
A 41...UR



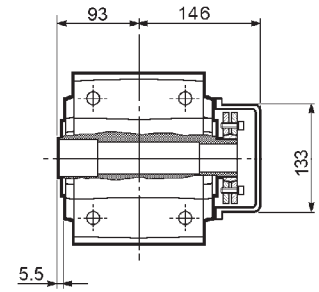
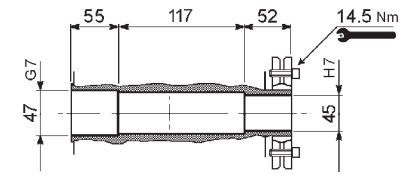
A 41...UD



A 41...UH

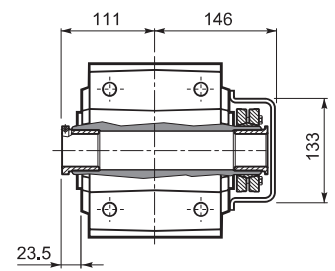
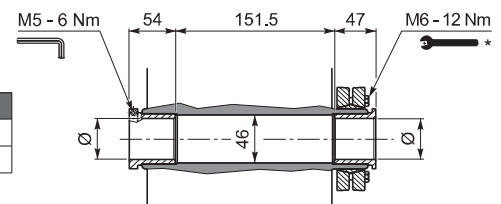


A 41...US

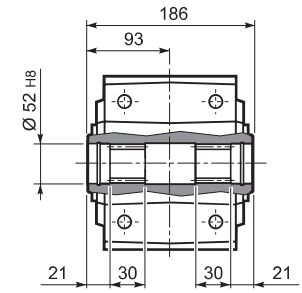


A 41...QF

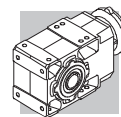
	Ø
QF40	40
QF45	45



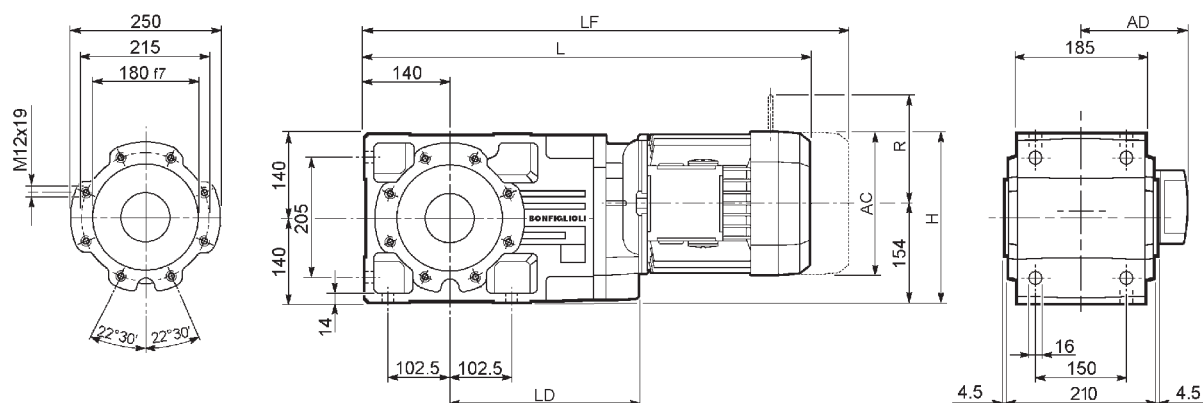
A 41...UV



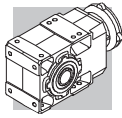
* Atenerse a las INSTRUCCIONES DE MONTAJE suministradas con el reductor.



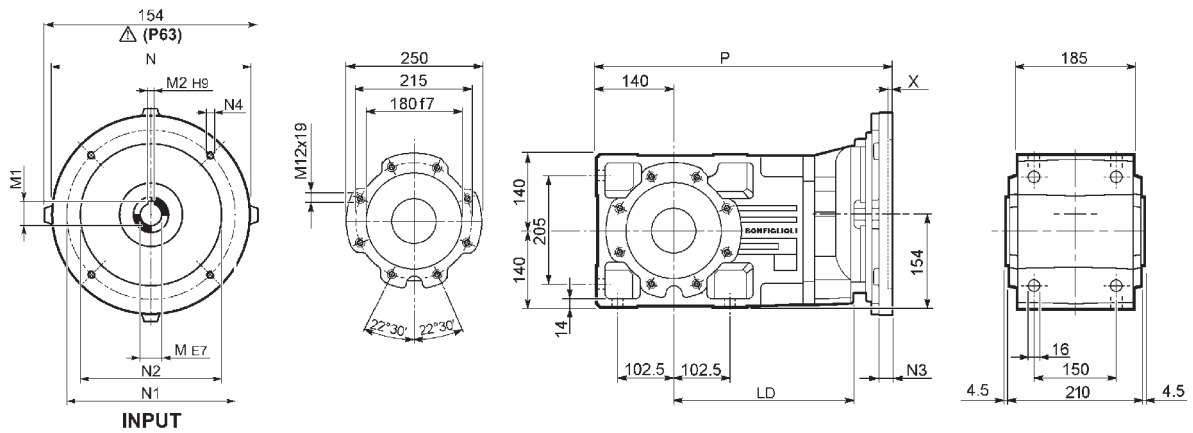
A 50...M/ME



	AC	H	L	LD	AD	Kg	M...FD M...FA		M...FD		M...FA	
							LF	Kg	R	AD	R	AD
A 50 2/3 S1 M1	138	223	609.5	—	108	66	670.5	69	103	135	124	108
A 50 2/3 S2 ME2S	156	232	638.5	284.5	119	68	—	—	—	—	—	—
A 50 2/3 S3 ME3S	195	251.5	681.5	299.5	142	74.5	—	—	—	—	—	—
A 50 2/3 S3 ME3L	195	251.5	713.5	299.5	142	81	—	—	—	—	—	—
A 50 2/3 S4 ME4	258	283	821.5	284.5	193	115	—	—	—	—	—	—
A 50 2/3 S4 ME4LB	258	283	856.5	284.5	193	123	—	—	—	—	—	—
A 50 2/3 S5 ME5S	310	309	908	—	245	143	—	—	—	—	—	—
A 50 2/3 S5 ME5L	310	309	952	—	245	159	—	—	—	—	—	—
A 50 4 S1 M1	138	223	681	—	108	67	742	70	103	135	124	108
A 50 4 S2 ME2S	156	232	710	—	119	71	—	—	—	—	—	—
A 50 4 S3 ME3S	195	251.5	753	—	142	77.5	—	—	—	—	—	—
A 50 4 S3 ME3L	195	251.5	785	—	142	83	—	—	—	—	—	—

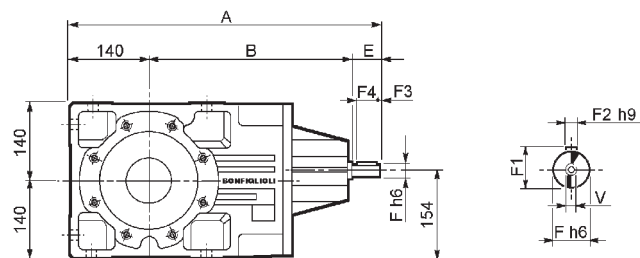


A 50...P(IEC)

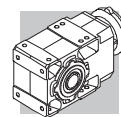


		LD	M	M1	M2	N	N1	N2	N3	N4	X	P	Kg
		284.5	11	12.8	4	140	115	95	—	M8x19	4	454.5	60
		284.5	14	16.3	5	160	130	110	—	M8x16	4.5	454.5	60
		299.5	19	21.8	6	200	165	130	—	M10x12	4	474	61
		299.5	24	27.3	8	200	165	130	—	M10x12	4	474	61
		284.5	28	31.3	8	250	215	180	—	M12x16	4.5	484	65
		284.5	28	31.3	8	250	215	180	—	M12x16	4.5	484	65
		284.5	38	41.3	10	300	265	230	16	14	5	520.5	68
		—	42	45.3	12	350	300	250	23	18	5.5	571	72
		—	48	51.8	14	350	300	250	23	18	5.5	571	72
		—	11	12.8	4	140	115	95	—	M8x19	4	526	62
		—	14	16.3	5	160	130	110	—	M8x16	4.5	526	62
		—	19	21.8	6	200	165	130	—	M10x12	4	545.5	63
		—	24	27.3	8	200	165	130	—	M10x12	4	545.5	63
		—	28	31.3	8	250	215	180	—	M12x16	4.5	555.5	67
		—	28	31.3	8	250	215	180	—	M12x16	4.5	555.5	67

A 50...HS



		A	B	E	F	F1	F2	F3	F4	V	Kg
		543.5	353.5	50	24	27	8	2.5	45	M8x19	72
		543.5	353.5	50	24	27	8	2.5	45	M8x19	76
		576	396	40	19	21.5	6	2.5	35	M6x16	77



A 50...SK / SC

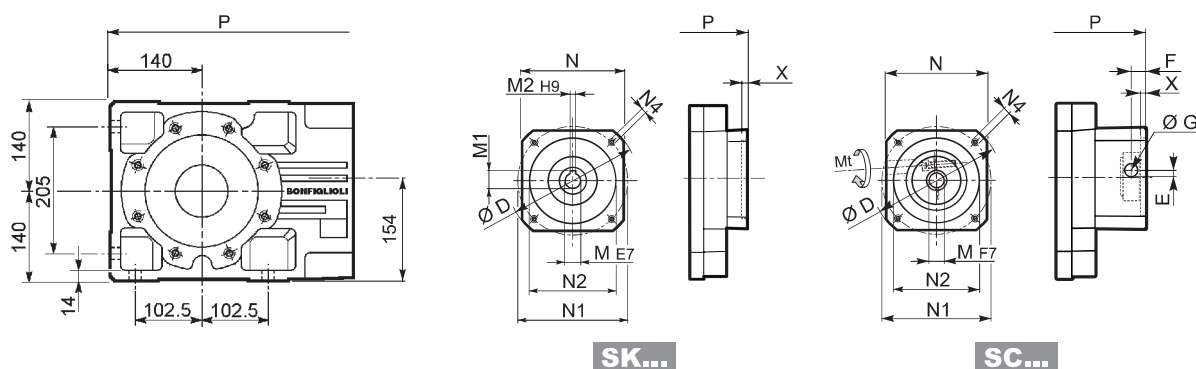
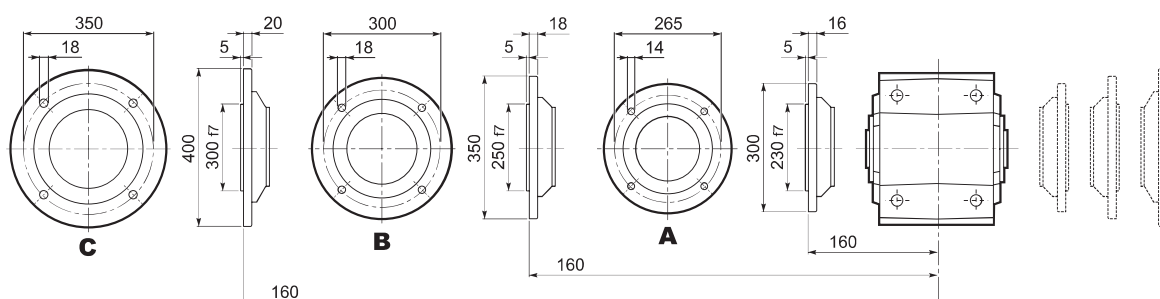
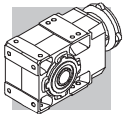


Image	Image	D	M	M1	M2	N	N1	N2	N4	X	P		Kg
											2/3x	4x	
		120	14	16.3	5	96	100	80	M6x12	4	474	—	61/61
		120	19	21.8	6	96	100	80	M6x12	4	474	545.5	61/61/63
		130	14	16.3	5	102	115	95	M8x12	4	474	545.5	61/61/63
		130	19	21.8	6	102	115	95	M8x12	4	474	545.5	61/61/63
		130	24	27.3	8	102	115	95	M8x12	4	474	545.5	61/61/63
		150	19	21.8	6	120	130	110	M8x12	5	474	545.5	61/61/65
		150	24	27.3	8	120	130	110	M8x12	5	474	575	61/61/65
		188	24	27.3	8	142	165	130	M10x20	5	474	575	63/63/66
		189	32	35.3	10	160	165	130	M10x20	5	520.5	—	69/69
		240	32	35.3	10	192	215	180	M12x19	5	520.5	—	69/69
		240	38	41.3	10	192	215	180	M12x19	5	520.5	—	69/69

Image	Image	Image	Mt	D	E	F	G	M	N	N1	N2	N4	X	P		Kg
														2/3x	3x	
			M6 15 Nm	120	15.5	14.5	17.75	14	96	100	80	M6x12	4	497.5	—	62/62
			M6 15 Nm	120	15.5	14.5	17.75	19	96	100	80	M6x12	4	497.5	569	62/62/64
			M6 15 Nm	130	16.5	15	17.75	14	102	115	95	M8x16	4	497.5	569	62/62/64
			M6 15 Nm	130	16.5	15	17.75	19	102	115	95	M8x16	4	497.5	569	62/62/64
			M6 15 Nm	130	16.5	15	17.75	24	102	115	95	M8x16	4	497.5	569	62/62/64
			M6 15 Nm	150	16.5	16	17.75	19	120	130	110	M8x16	5	497.5	569	63/63/66
			M6 15 Nm	150	16.5	16	17.75	24	120	130	110	M8x16	5	497.5	569	63/63/66
			M6 15 Nm	188	19	16	17.75	24	142	165	130	M10x20	5	497.5	569	64/64/67
			M8 36 Nm	189	20	17	17.75	32	160	165	130	M10x20	5	543.5	—	68/68
			M8 36 Nm	240	20	17.5	17.75	32	192	215	180	M12x24	5	547.5	—	68/68
			M8 36 Nm	240	20	17.5	17.75	38	192	215	180	M12x24	5	547.5	—	68/68

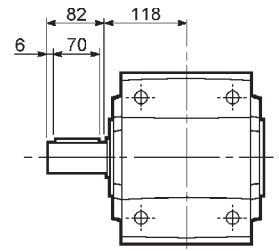
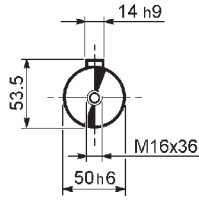
A 50...F...



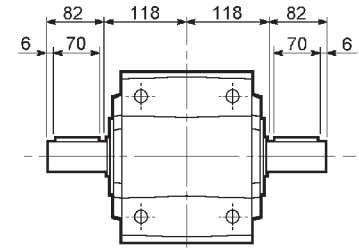
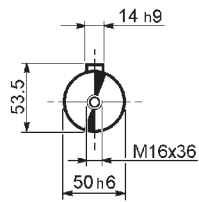


A 50

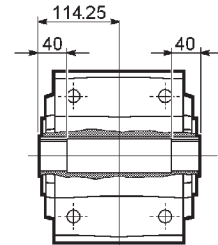
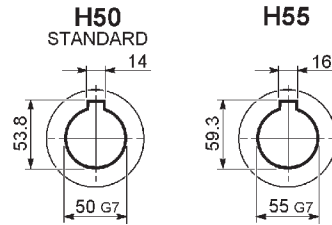
A 50...UR



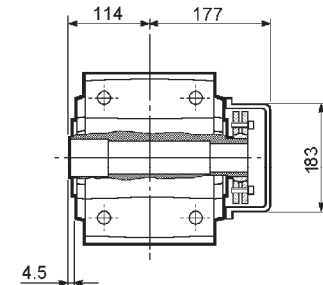
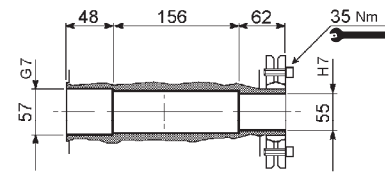
A 50...UD



A 50...UH

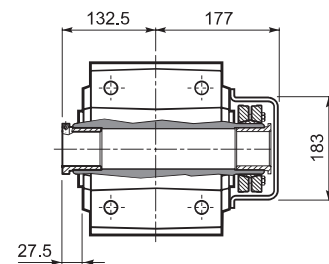
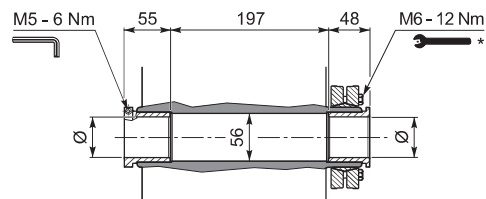


A 50...US

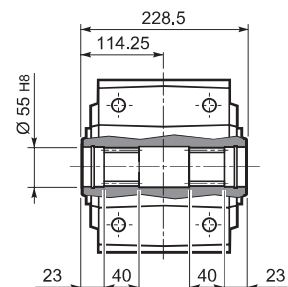


A 50...QF

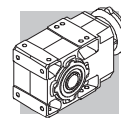
	Ø
QF50	50
QF55	55



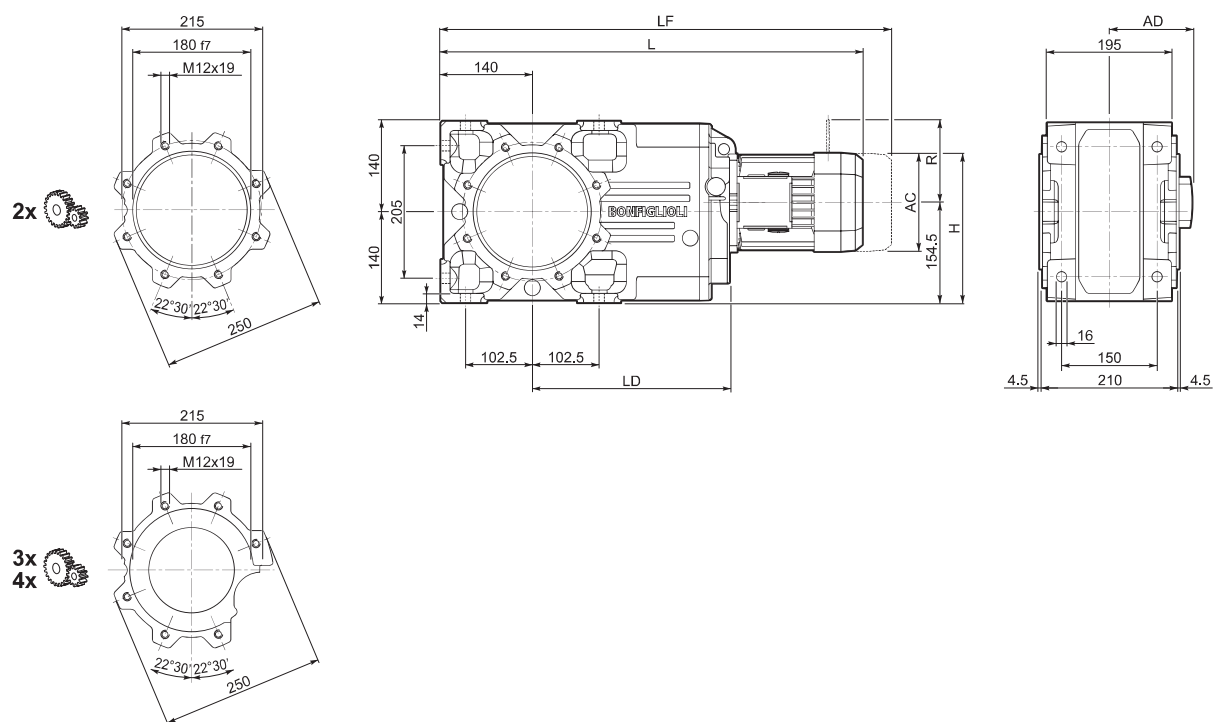
A 50...UV



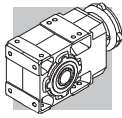
* Atenerse a las INSTRUCCIONES DE MONTAJE suministradas con el reductor.



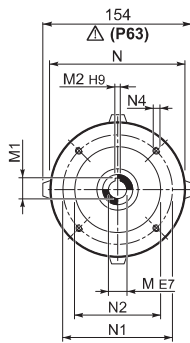
A 55...M/ME



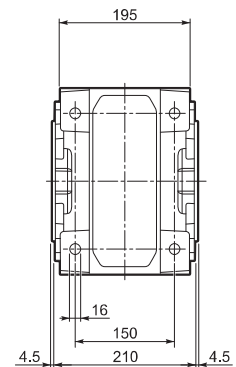
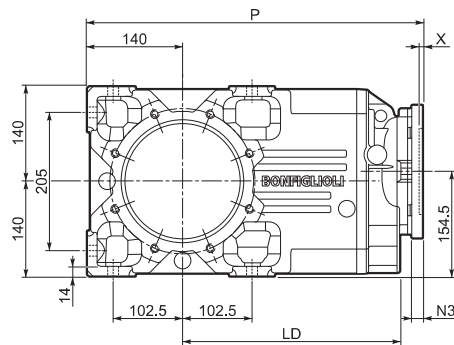
			AC	H	L	LD	AD		M...FD M...FA		M...FD		M...FA	
									LF		R	AD	R	AD
A 55 3	S1	M1	138	198.5	627.5	—	108	81	688.5	84	103	135	124	108
A 55 2/3	S2	ME2S	156	232	656.5	302.5	119	88	—	—	—	—	—	—
A 55 2/3	S3	ME3S	195	251	699.5	317.5	142	94.5	—	—	—	—	—	—
A 55 2/3	S3	ME3L	195	251	731.5	317.5	142	101	—	—	—	—	—	—
A 55 2/3	S4	ME4	258	283	839.5	302.5	193	135	—	—	—	—	—	—
A 55 2/3	S4	ME4LB	258	283	874.5	302.5	193	143	—	—	—	—	—	—
A 55 2/3	S5	ME5S	310	309.5	926	—	245	163	—	—	—	—	—	—
A 55 2/3	S5	ME5L	310	309.5	970	—	245	179	—	—	—	—	—	—
A 55 4	S1	M1	138	223	699	—	108	82	760	85	103	135	124	108
A 55 4	S2	ME2S	156	232	728	—	119	86	—	—	—	—	—	—
A 55 4	S3	ME3S	195	251.5	771	—	142	92.5	—	—	—	—	—	—
A 55 4	S3	ME3L	195	251.5	803	—	142	98	—	—	—	—	—	—



A 55...P(IEC)

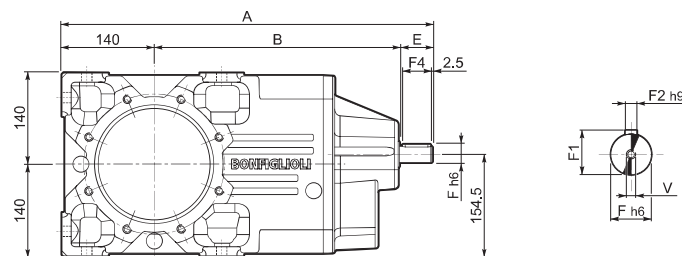


INPUT

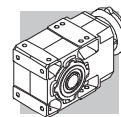


		LD	M	M1	M2	N	N1	N2	N3	N4	X	P	Kg
A 55 3	P63	302.5	11	12.8	4	140	115	95	—	M8x19	4	472.5	75
A 55 3	P71	302.5	14	16.3	5	160	130	110	—	M8x16	4.5	472.5	75
A 55 2/3	P80	317.5	19	21.8	6	200	165	130	—	M10x12	4	492	81
A 55 2/3	P90	317.5	24	27.3	8	200	165	130	—	M10x12	4	492	81
A 55 2/3	P100	302.5	28	31.3	8	250	215	180	—	M12x16	4.5	502	85
A 55 2/3	P112	302.5	28	31.3	8	250	215	180	—	M12x16	4.5	502	85
A 55 2/3	P132	302.5	38	41.3	10	300	265	230	16	14	5	538.5	93
A 55 2/3	P160	—	42	45.3	12	350	300	250	23	18	5.5	589	110
A 55 2/3	P180	—	48	51.8	14	350	300	250	23	18	5.5	589	110
A 55 4	P63	—	11	12.8	4	140	115	95	—	M8x19	4	544	77
A 55 4	P71	—	14	16.3	5	160	130	110	—	M8x16	4.5	544	77
A 55 4	P80	—	19	21.8	6	200	165	130	—	M10x12	4	563.5	78
A 55 4	P90	—	24	27.3	8	200	165	130	—	M10x12	4	563.5	78
A 55 4	P100	—	28	31.3	8	250	215	180	—	M12x16	4.5	573.5	82
A 55 4	P112	—	28	31.3	8	250	215	180	—	M12x16	4.5	573.5	82

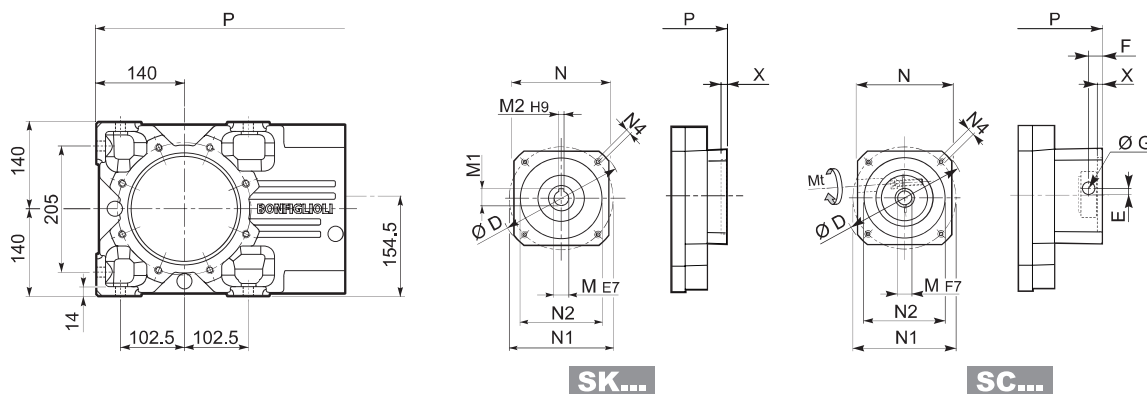
A 55...HS



		A	B	E	F	F1	F2	F3	F4	V	Kg
A 55 2	HS	561.5	371.5	50	24	27	8	2.5	45	M8x19	96
A 55 3		561.5	371.5	50	24	27	8	2.5	45	M8x19	91
A 55 4		594	414	40	19	21.5	6	2.5	35	M6x16	92



A 55...SK / SC



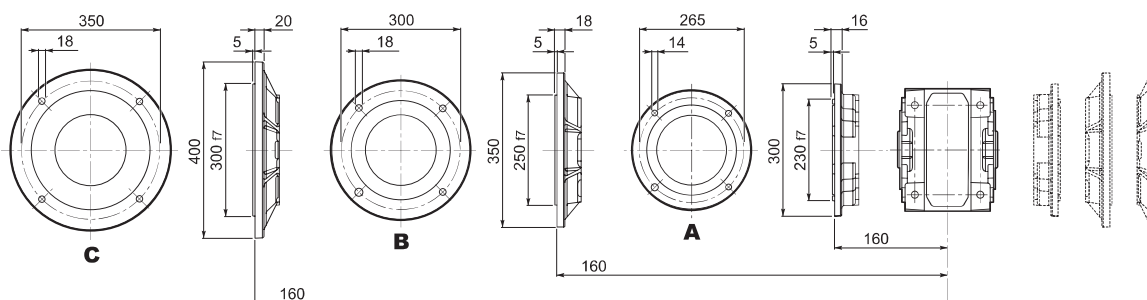
SK...

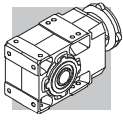
SC...

		D	M	M1	M2	N	N1	N2	N4	X	P		Kg
											2/3x	4x	
A 55 3	SK80B	120	14	16.3	5	96	100	80	M6x12	4	492	—	81
A 55 2/3/4	SK80C	120	19	21.8	6	96	100	80	M6x12	4	492	563.5	81/81/77
A 55 3/4	SK95A	130	14	16.3	5	102	115	95	M8x12	4	492	563.5	81/81/77
A 55 2/3/4	SK95B	130	19	21.8	6	102	115	95	M8x12	4	492	563.5	81/81/77
A 55 2/3/4	SK95C	130	24	27.3	8	102	115	95	M8x12	4	492	563.5	81/81/77
A 55 2/3/4	SK110A	150	19	21.8	6	120	130	110	M8x12	5	492	593	81/81/78
A 55 2/3/4	SK110B	150	24	27.3	8	120	130	110	M8x12	5	492	593	81/81/78
A 55 2/3/4	SK130A	188	24	27.3	8	142	165	130	M10x20	5	492	593	83/83/79
A 55 2/3	SK130B	189	32	35.3	10	160	165	130	M10x20	5	538.5	—	90/90
A 55 2/3	SK180A	240	32	35.3	10	192	215	180	M12x19	5	538.5	—	90/90
A 55 2/3	SK180B	240	38	41.3	10	192	215	180	M12x19	5	538.5	—	90/90

		Mt	D	E	F	G	M	N	N1	N2	N4	X	P		Kg
													2/3x	3x	
A 55 3	SC80B	M6 15 Nm	120	15.5	14.5	17.75	14	96	100	80	M6x12	4	515.5	—	82
A 55 2/3/4	SC80C	M6 15 Nm	120	15.5	14.5	17.75	19	96	100	80	M6x12	4	515.5	587	82/82/78
A 55 3/4	SC95A	M6 15 Nm	130	16.5	15	17.75	14	102	115	95	M8x16	4	515.5	587	82/82/78
A 55 2/3/4	SC95B	M6 15 Nm	130	16.5	15	17.75	19	102	115	95	M8x16	4	515.5	587	82/82/78
A 55 2/3/4	SC95C	M6 15 Nm	130	16.5	15	17.75	24	102	115	95	M8x16	4	515.5	587	82/82/78
A 55 2/3/4	SC110A	M6 15 Nm	150	16.5	16	17.75	19	120	130	110	M8x16	5	515.5	587	83/83/79
A 55 2/3/4	SC110B	M6 15 Nm	150	16.5	16	17.75	24	120	130	110	M8x16	5	515.5	587	83/83/79
A 55 2/3/4	SC130A	M6 15 Nm	188	19	16	17.75	24	142	165	130	M10x20	5	515.5	587	84/84/80
A 55 2/3	SC130B	M8 36 Nm	189	20	17	17.75	32	160	165	130	M10x20	5	561.5	—	93/93
A 55 2/3	SC180A	M8 36 Nm	240	20	17.5	17.75	32	192	215	180	M12x24	5	565.5	—	93/93
A 55 2/3	SC180B	M8 36 Nm	240	20	17.5	17.75	38	192	215	180	M12x24	5	565.5	—	93/93

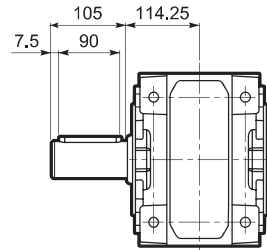
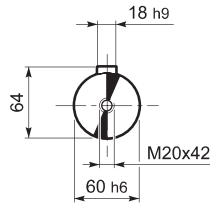
A 55...F...



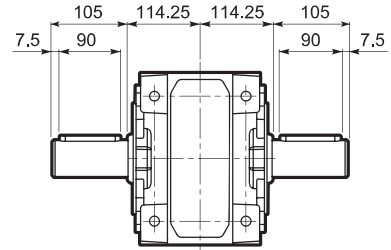
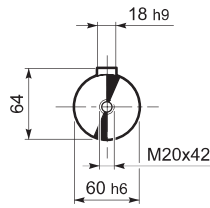


A 55

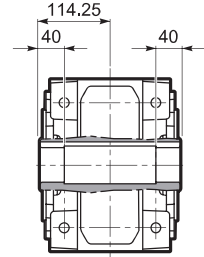
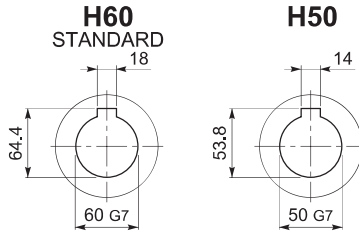
A 55...UR



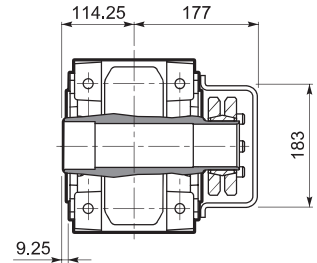
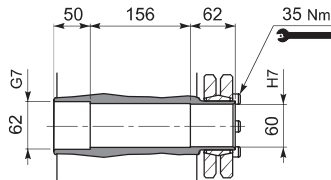
A 55...UD



A 55...UH

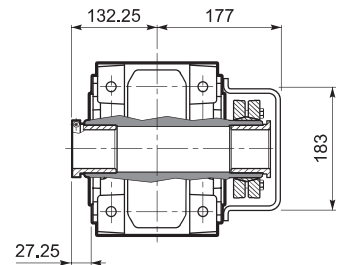
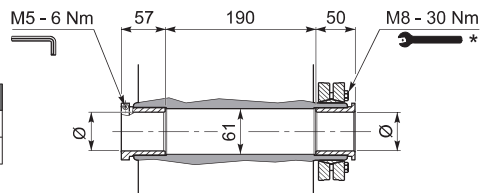


A 55...US

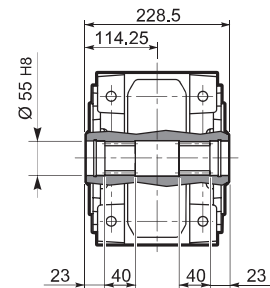


A 55...QF

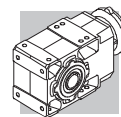
	Ø
QF55	55
QF60	60



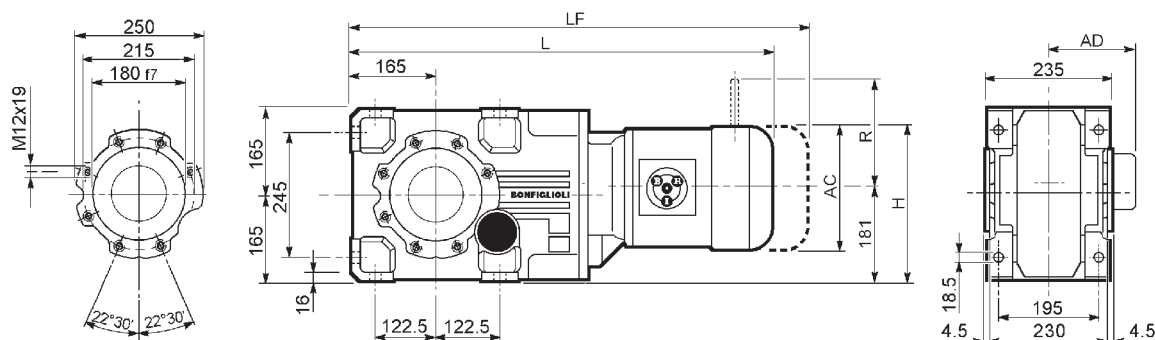
A 55...UV



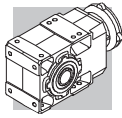
* Atenerse a las INSTRUCCIONES DE MONTAJE suministradas con el reductor.



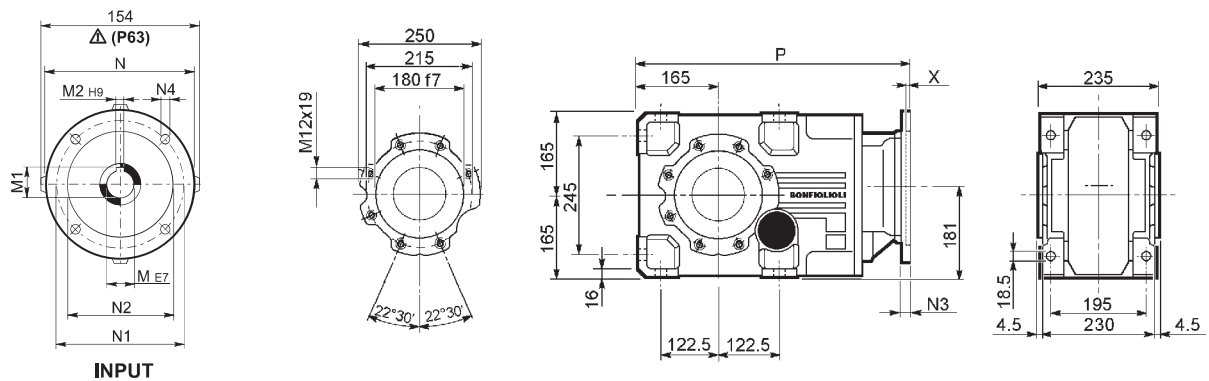
A 60...M/ME



	AC	H	L	AD	Kg	M...FD M...FA		M...FD		M...FA	
						LF	Kg	R	AD	R	AD
A 60 2/3 S2 ME2S	156	256.5	700.5	119	98	—	—	—	—	—	—
A 60 2/3 S3 ME3S	195	276	743.5	142	103	—	—	—	—	—	—
A 60 2/3 S3 ME3L	195	276	775.5	142	111	—	—	—	—	—	—
A 60 2/3 S4 ME4	258	307.5	883.5	193	145	—	—	—	—	—	—
A 60 2/3 S4 ME4LB	258	307.5	918.5	193	153	—	—	—	—	—	—
A 60 2/3 S5 ME5S	310	333.5	970	245	173	—	—	—	—	—	—
A 60 2/3 S5 ME5L	310	333.5	1014	245	189	—	—	—	—	—	—
A 60 4 S1 M1	138	247.5	742	108	100	803	103	103	135	124	108
A 60 4 S2 ME2S	156	256.5	771	119	104	—	—	—	—	—	—
A 60 4 S3 ME3S	195	276	814	142	109	—	—	—	—	—	—
A 60 4 S3 ME3L	195	276	846	142	117	—	—	—	—	—	—

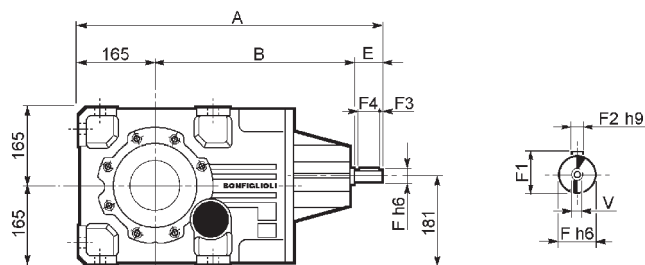


A 60...P(IEC)

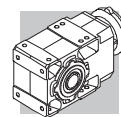


		M	M1	M2	N	N1	N2	N3	N4	X	P	Kg
		11	12.8	4	140	115	95	—	M8x19	4	516.5	90
		14	16.3	5	160	130	110	—	M8x16	4.5	516.5	90
		19	21.8	6	200	165	130	—	M10x12	4	536	91
		24	27.3	8	200	165	130	—	M10x12	4	536	91
		28	31.3	8	250	215	180	—	M12x16	4.5	546	95
		28	31.3	8	250	215	180	—	M12x16	4.5	546	95
		38	41.3	10	300	265	230	16	14	5	582.5	104
		42	45.3	12	350	300	250	23	18	5.5	633	121
		48	51.8	14	350	300	250	23	18	5.5	633	121
		11	12.8	4	140	115	95	—	M8x19	4	587	88
		14	16.3	5	160	130	110	—	M8x16	4.5	587	88
		19	21.8	6	200	165	130	—	M10x12	4	606.5	90
		24	27.3	8	200	165	130	—	M10x12	4	606.5	90
		28	31.3	8	250	215	180	—	M12x16	4.5	616.5	94
		28	31.3	8	250	215	180	—	M12x16	4.5	616.5	94

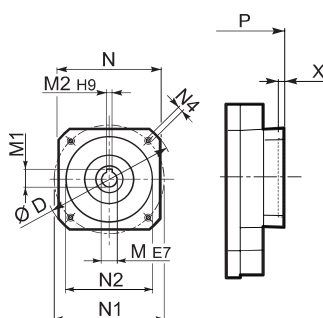
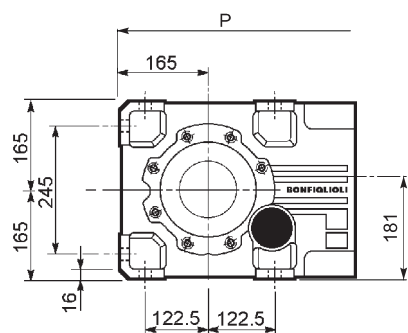
A 60...HS



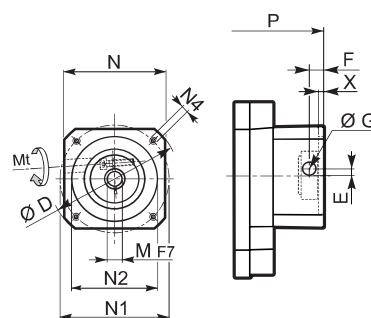
		A	B	E	F	F1	F2	F3	F4	V	Kg
		633	408	60	28	31	8	5.0	50	M10x22	106
		633	408	60	28	31	8	5.0	50	M10x22	106
		676	461	50	24	27	8	2.5	45	M8x19	112



A 60...SK / SC



SK...

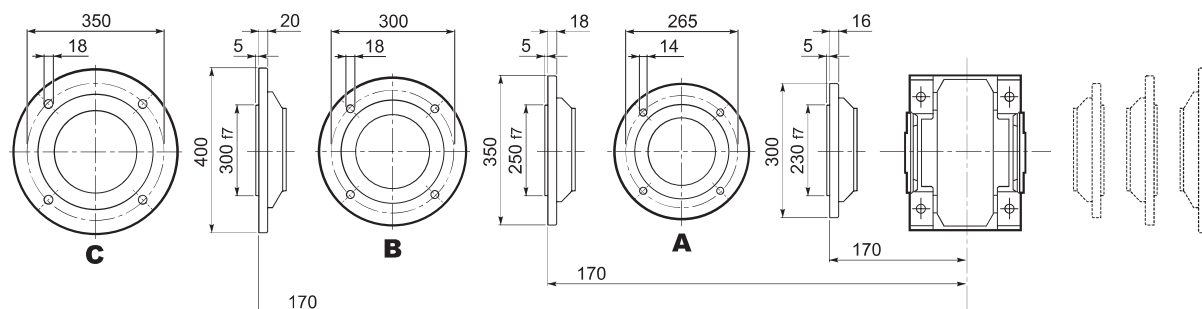


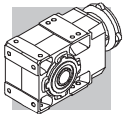
SC...

		D	M	M1	M2	N	N1	N2	N4	X	P		Kg
											2/3x	4x	
A 60 4	SK80B	120	14	16.3	5	96	100	80	M6x12	4	—	606.5	89
A 60 2/3/4	SK80C	120	19	21.8	6	96	100	80	M6x12	4	536	606.5	93/93/92
A 60 2/3/4	SK95A	130	14	16.3	5	102	115	95	M8x12	4	536	606.5	93/93/92
A 60 2/3/4	SK95B	130	19	21.8	6	102	115	95	M8x12	4	536	606.5	93/93/92
A 60 2/3/4	SK95C	130	24	27.3	8	102	115	95	M8x12	4	536	606.5	93/93/92
A 60 2/3/4	SK110A	140	19	21.8	6	120	130	110	M8x12	5	536	606.5	93/93/92
A 60 2/3/4	SK110B	140	24	27.3	8	120	130	110	M8x12	5	536	606.5	93/93/92
A 60 2/3/4	SK130A	188	24	27.3	8	142	165	130	M10x20	5	536	606.5	97/97/103
A 60 2/3	SK130B	189	32	35.3	10	160	165	130	M10x20	5	582.5	—	102/102
A 60 2/3	SK180A	240	32	35.3	10	192	215	180	M12x19	5	582.5	—	102/102
A 60 2/3	SK180B	240	38	41.3	10	192	215	180	M12x19	5	582.5	—	102/102

		Mt	D	E	F	G	M	N	N1	N2	N4	X	P		Kg
													2/3x	3x	
A 60 4	SC80B	M6 15 Nm	120	15.5	14.5	17.75	14	96	100	80	M6x12	4	—	630	90
A 60 2/3/4	SC80C	M6 15 Nm	120	15.5	14.5	17.75	19	96	100	80	M6x12	4	559.5	630	94/94/93
A 60 2/3/4	SC95A	M6 15 Nm	130	16.5	15	17.75	14	102	115	95	M8x16	4	559.5	630	94/94/93
A 60 2/3/4	SC95B	M6 15 Nm	130	16.5	15	17.75	19	102	115	95	M8x16	4	559.5	630	94/94/93
A 60 2/3/4	SC95C	M6 15 Nm	130	16.5	15	17.75	24	102	115	95	M8x16	4	559.5	630	94/94/93
A 60 2/3/4	SC110A	M6 15 Nm	140	16.5	16	17.75	19	120	130	110	M8x16	5	559.5	630	95/95/93
A 60 2/3/4	SC110B	M6 15 Nm	140	16.5	16	17.75	24	120	130	110	M8x16	5	559.5	630	95/95/93
A 60 2/3/4	SC130A	M6 15 Nm	188	19	16	17.75	24	142	165	130	M10x20	5	559.5	630	96/96/104
A 60 2/3	SC130B	M8 36 Nm	189	20	17	17.75	32	160	165	130	M10x20	5	605.5	—	105/105
A 60 2/3	SC180A	M8 36 Nm	240	20	17.5	17.75	32	192	215	180	M12x24	5	609.5	—	105/105
A 60 2/3	SC180B	M8 36 Nm	240	20	17.5	17.75	38	192	215	180	M12x24	5	609.5	—	105/105

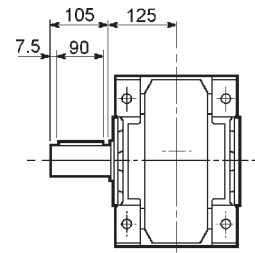
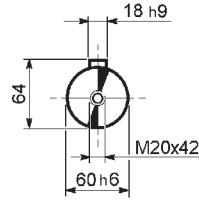
A 60...F...



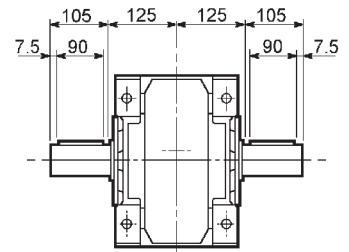
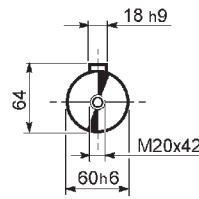


A 60

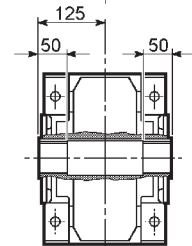
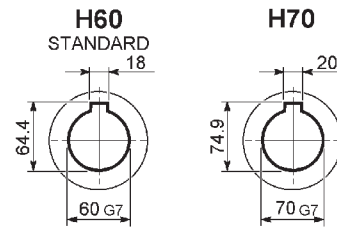
A 60...UR



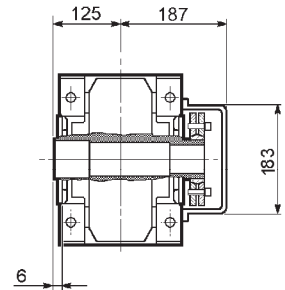
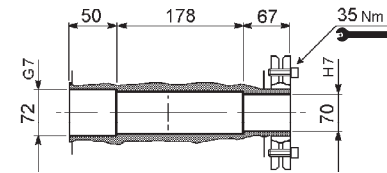
A 60...UD



A 60...UH

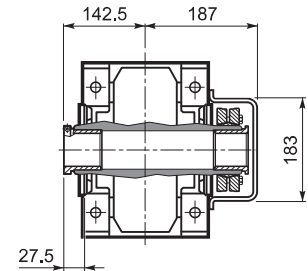
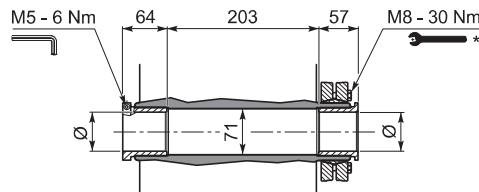


A 60...US

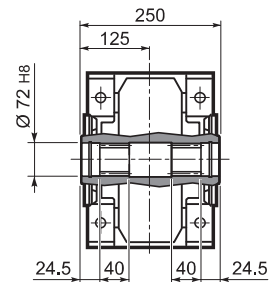


A 60...QF

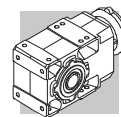
	Ø
QF60	60
QF65	65
QF70	70



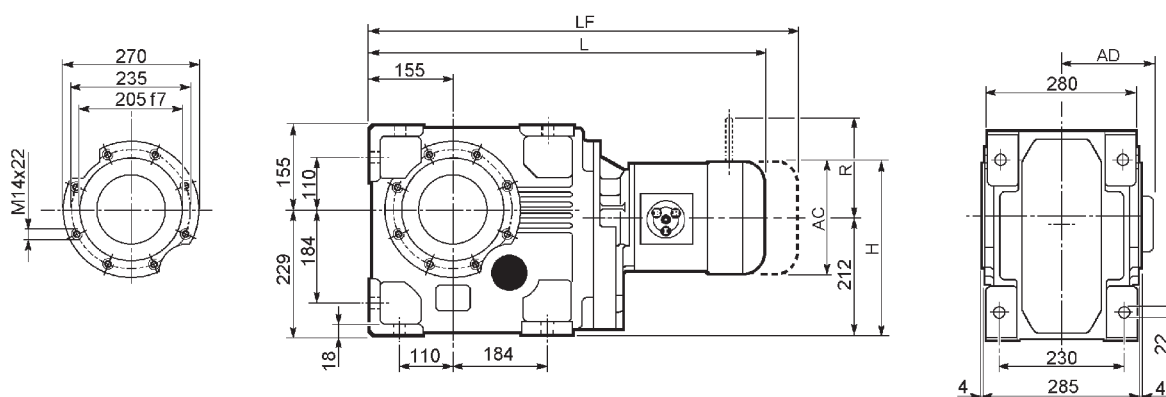
A 60...UV



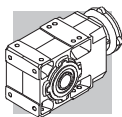
* Atenerse a las INSTRUCCIONES DE MONTAJE suministradas con el reductor.



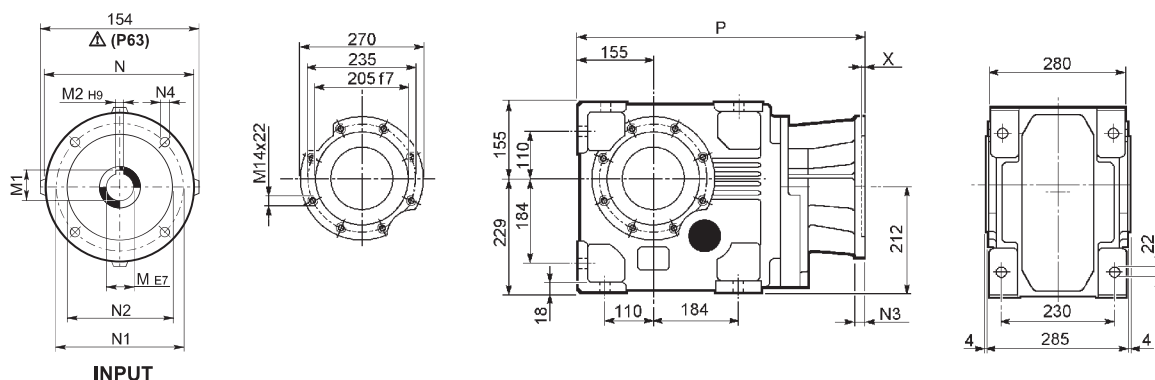
A 70...M/ME



	AC	H	L	AD	Kg	M...FD M...FA		M...FD		M...FA	
						LF	Kg	R	AD	R	AD
A 70 3 S2 ME2S	156	290	688.5	119	152	—	—	—	—	—	—
A 70 3 S3 ME3S	195	309.5	731.5	142	158.5	—	—	—	—	—	—
A 70 3 S3 ME3L	195	309.5	763.5	142	164	—	—	—	—	—	—
A 70 3 S4 ME4	258	341	872.5	193	198	—	—	—	—	—	—
A 70 3 S4 ME4LB	258	341	907.5	193	206	—	—	—	—	—	—
A 70 3 S5 ME5S	310	367	958	245	226	—	—	—	—	—	—
A 70 3 S5 ME5L	310	367	1002	245	242	—	—	—	—	—	—
A 70 4 S1 M1	138	281	710.5	108	152	771.5	155	103	135	124	108
A 70 4 S2 ME2S	156	290	739.5	119	156	—	—	—	—	—	—
A 70 4 S3 ME3S	195	309.5	782.5	142	162.5	—	—	—	—	—	—
A 70 4 S3 ME3L	195	309.5	814.5	142	168	—	—	—	—	—	—
A 70 4 S4 ME4	258	341	922.5	193	202	—	—	—	—	—	—
A 70 4 S4 ME4LB	258	341	957.5	193	210	—	—	—	—	—	—

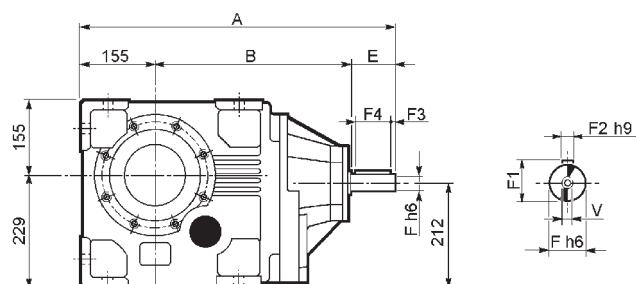


A 70...P (IEC)

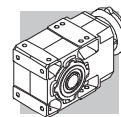


		M	M1	M2	N	N1	N2	N3	N4	X	P	Kg		
		A 70 3	P80	19	21.8	6	200	165	130	—	M10x12	4	524	144
		A 70 3	P90	24	27.3	8	200	165	130	—	M10x12	4	524	144
		A 70 3	P100	28	31.3	8	250	215	180	—	M12x16	4.5	534	146
		A 70 3	P112	28	31.3	8	250	215	180	—	M12x16	4.5	534	146
		A 70 3	P132	38	41.3	10	300	265	230	16	14	5	570.5	154
		A 70 3	P160	42	45.3	12	350	300	250	23	18	6	626	169
		A 70 3	P180	48	51.8	14	350	300	250	23	18	6	626	169
		A 70 3	P200	55	59.3	16	400	350	300	—	M16x25	7	651	179
		A 70 4	P63	11	12.8	4	140	115	95	—	M8x19	4	555.5	146
		A 70 4	P71	14	16.3	5	160	130	110	—	M8x16	4.5	555.5	146
		A 70 4	P80	19	21.8	6	200	165	130	—	M10x12	4	575	147
		A 70 4	P90	24	27.3	8	200	165	130	—	M10x12	4	575	147
		A 70 4	P100	28	31.3	8	250	215	180	—	M12x16	4.5	585	148
		A 70 4	P112	28	31.3	8	250	215	180	—	M12x16	4.5	585	148
		A 70 4	P132	38	41.3	10	300	265	230	16	14	5	618.5	157

A 70...HS

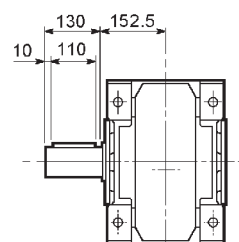
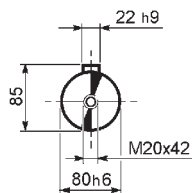


		A	B	E	F	F1	F2	F3	F4	V	Kg		
		A 70 3	HS	708.5	443.5	110	42	45	12	10	90	M12x28	165
		A 70 4	HS	644.5	439.5	50	24	27	8	2.5	45	M8x19	149

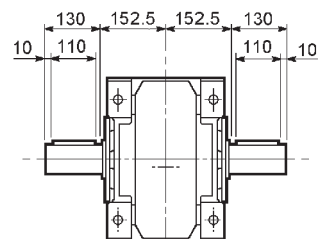
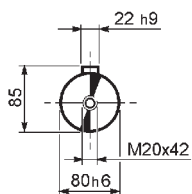


A 70

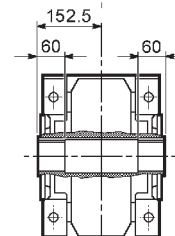
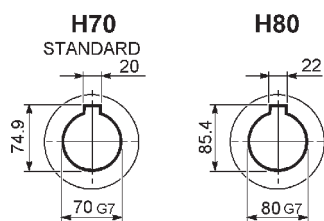
A 70...UR



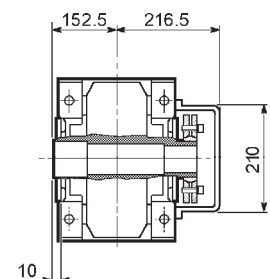
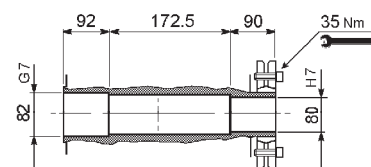
A 70...UD



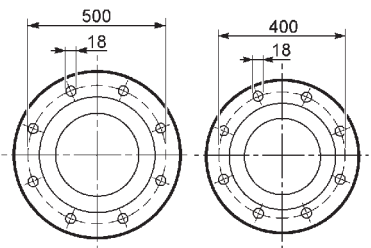
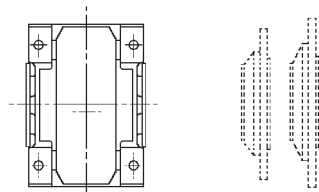
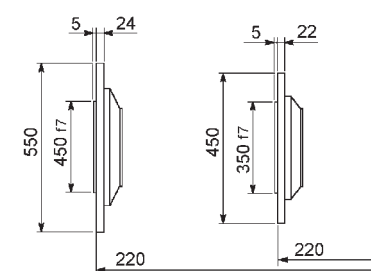
A 70...UH



A 70...US

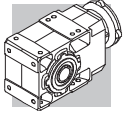


A 70...F...

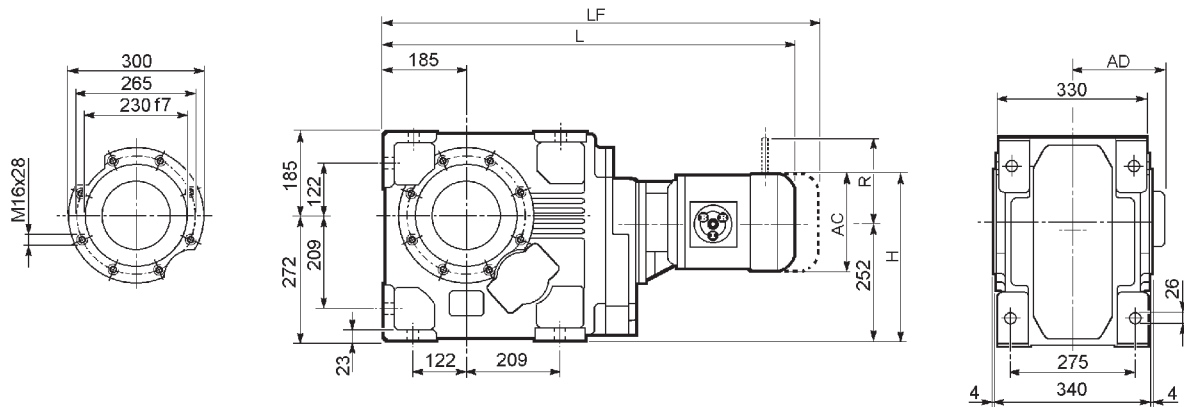


B

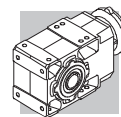
A



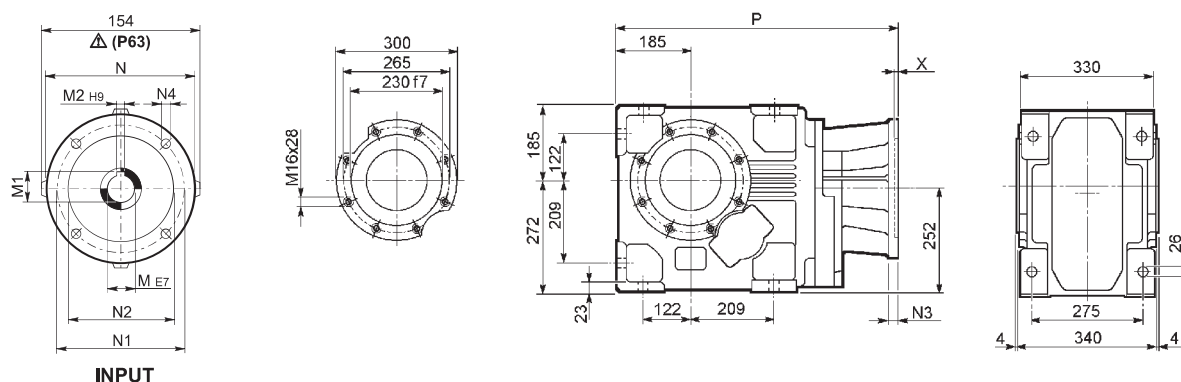
A 80...M/ME



			AC	H	L	AD	Kg	M...FD M...FA		M...FD		M...FA	
								LF	Kg	R	AD	R	AD
A 80 3	S3	ME3S	195	349.5	809.5	142	257.5	—	—	—	—	—	—
A 80 3	S3	ME3L	195	349.5	841.5	142	264	—	—	—	—	—	—
A 80 3	S4	ME4	258	381	949.5	193	298	—	—	—	—	—	—
A 80 3	S4	ME4LB	258	381	984.5	193	306	—	—	—	—	—	—
A 80 3	S5	ME5S	310	407	1036	245	326	—	—	—	—	—	—
A 80 3	S5	ME5L	310	407	1080	245	342	—	—	—	—	—	—
A 80 4	S1	M1	138	321	800.5	108	246	861.5	249	103	135	124	108
A 80 4	S2	M2S	156	330	829.5	119	250	899.5	254	129	146	134	119
A 80 4	S2	ME2S	156	330	829.5	119	250	—	—	—	—	—	—
A 80 4	S3	ME3S	195	349.5	872.5	142	256.5	—	—	—	—	—	—
A 80 4	S3	ME3L	195	349.5	904.5	142	262	—	—	—	—	—	—
A 80 4	S4	ME4	258	381	1012.5	193	296	—	—	—	—	—	—
A 80 4	S4	ME4LB	258	381	1047.5	193	304	—	—	—	—	—	—

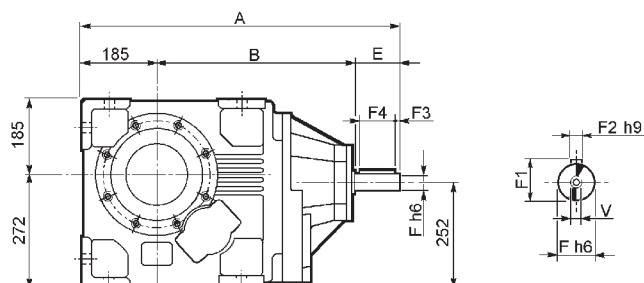


A 80...P(IEC)

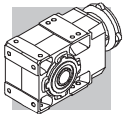


		M	M1	M2	N	N1	N2	N3	N4	X	P	
A 80 3	P80	19	21.8	6	200	165	130	—	M10x12	4	602	243
A 80 3	P90	24	27.3	8	200	165	130	—	M10x12	4	602	243
A 80 3	P100	28	31.3	8	250	215	180	—	M12x16	4.5	612	245
A 80 3	P112	28	31.3	8	250	215	180	—	M12x16	4.5	612	245
A 80 3	P132	38	41.3	10	300	265	230	16	14	5	648.5	253
A 80 3	P160	42	45.3	12	350	300	250	23	18	6	704	268
A 80 3	P180	48	51.8	14	350	300	250	23	18	6	704	268
A 80 3	P200	55	59.3	16	400	350	300	—	M16x25	7	729	279
A 80 3	P225	60	64.4	18	450	400	350	25	18	6	774.5	298
A 80 4	P63	11	12.8	4	140	115	95	—	M8x19	4	645.5	248
A 80 4	P71	14	16.3	5	160	130	110	—	M8x16	4.5	645.5	248
A 80 4	P80	19	21.8	6	200	165	130	—	M10x12	4	665	249
A 80 4	P90	24	27.3	8	200	165	130	—	M10x12	4	665	249
A 80 4	P100	28	31.3	8	250	215	180	—	M12x16	4.5	675	250
A 80 4	P112	28	31.3	8	250	215	180	—	M12x16	4.5	675	250
A 80 4	P132	38	41.3	10	300	265	230	16	M12x16	5	711.5	259

A 80...HS

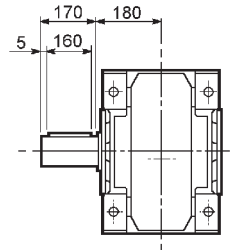
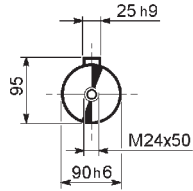


		A	B	E	F	F1	F2	F3	F4	V	
A 80 3	HS	786.5	491.5	110	42	45	12	10	90	M12x28	265
A 80 4		735	499	50	24	27	8	2.5	45	M8x19	250

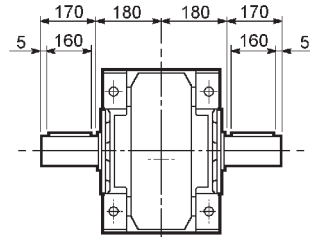
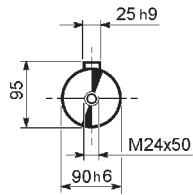


A 80

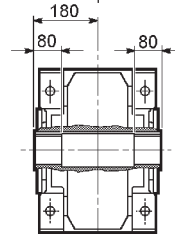
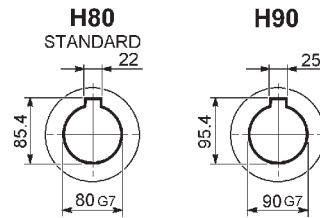
A 80...UR



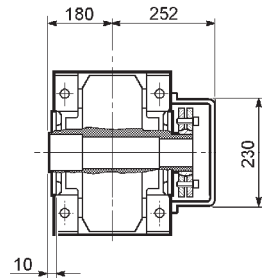
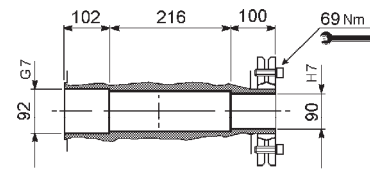
A 80...UD



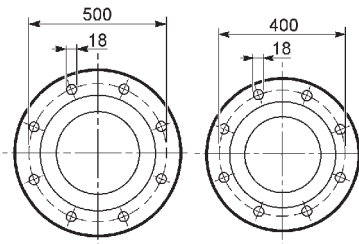
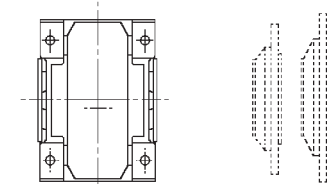
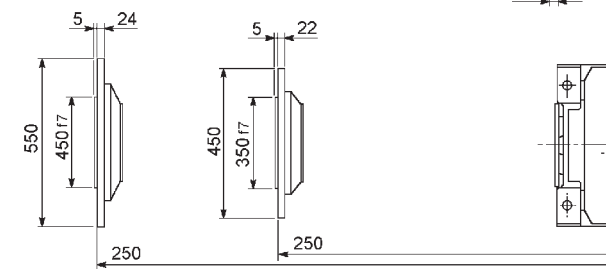
A 80...UH



A 80...US

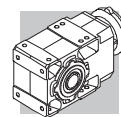


A 80...F...

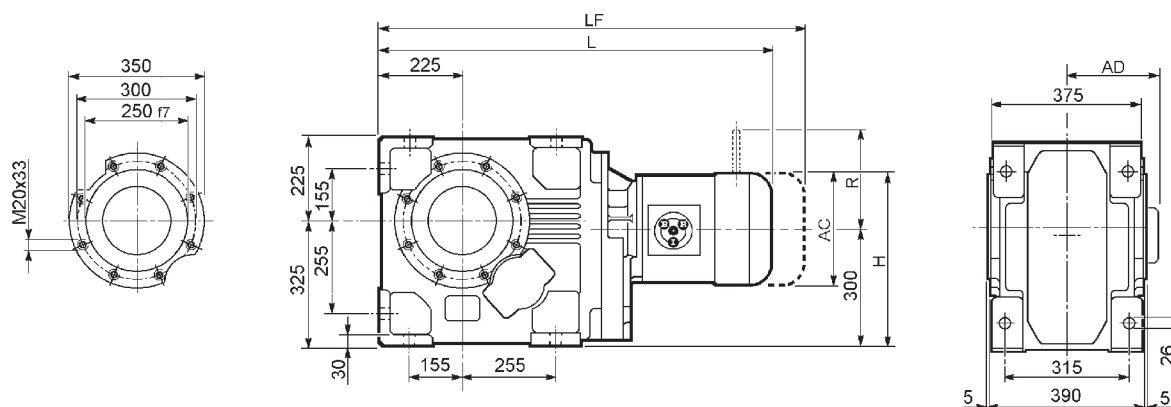


B

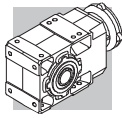
A



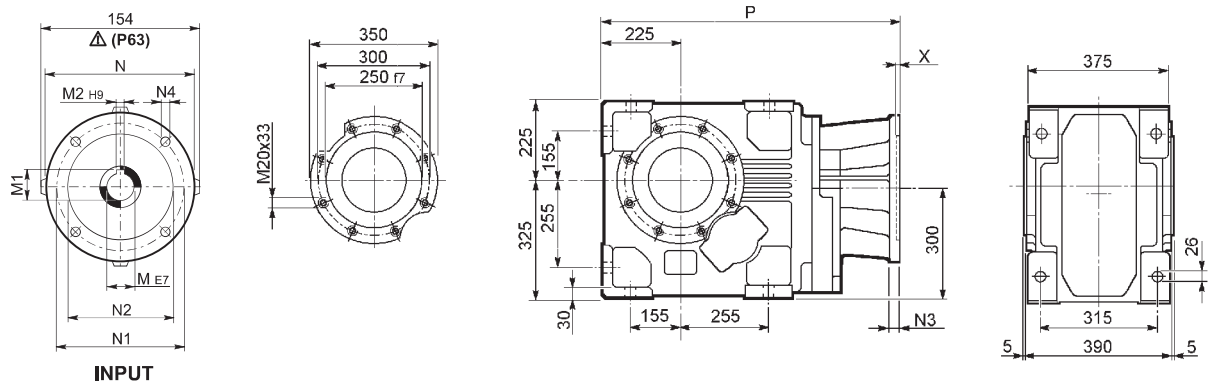
A 90...M/ME



			AC	H	L	AD	Kg	M...FD M...FA		M...FD		M...FA	
								LF	Kg	R	AD	R	AD
A 90 3	S3	ME3S	195	397.5	930.5	142	414.5	—	—	—	—	—	—
A 90 3	S3	ME3L	195	397.5	962.5	142	420	—	—	—	—	—	—
A 90 3	S4	ME4	258	429	1070.5	193	454	—	—	—	—	—	—
A 90 3	S4	ME4LB	258	429	1105.5	193	462	—	—	—	—	—	—
A 90 3	S5	ME5S	310	455	1157	245	482	—	—	—	—	—	—
A 90 3	S5	ME5L	310	455	1201	245	498	—	—	—	—	—	—
A 90 4	S1	M1	138	369	941.5	108	412	1002.5	249	103	135	124	108
A 90 4	S2	M2S	156	378	970.5	119	422	1040.5	426	129	146	134	119
A 90 4	S2	ME2S	156	378	970.5	119	422	—	—	—	—	—	—
A 90 4	S3	ME3S	195	397.5	1013.5	142	428.5	—	—	—	—	—	—
A 90 4	S3	ME3L	195	397.5	1045.5	142	434	—	—	—	—	—	—
A 90 4	S4	ME4	258	429	1153.5	193	468	—	—	—	—	—	—
A 90 4	S4	ME4LB	258	429	1188.5	193	476	—	—	—	—	—	—



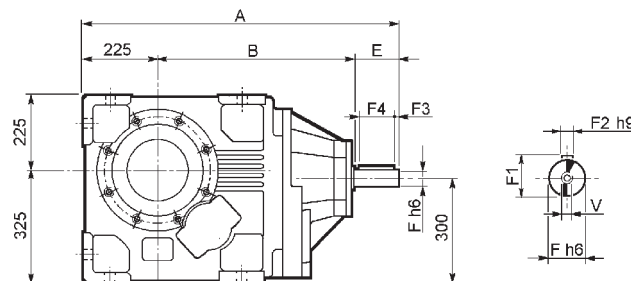
A 90...P (IEC)



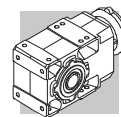
INPUT

		M	M1	M2	N	N1	N2	N3	N4	X	P	Kg
A 90 3	P80	19	21.8	6	200	165	130	—	M10x12	4	723	400
A 90 3	P90	24	27.3	8	200	165	130	—	M10x12	4	723	400
A 90 3	P100	28	31.3	8	250	215	180	—	M12x16	4.5	733	401
A 90 3	P112	28	31.3	8	250	215	180	—	M12x16	4.5	733	401
A 90 3	P132	38	41.3	10	300	265	230	16	14	5	769.5	409
A 90 3	P160	42	45.3	12	350	300	250	23	18	6	825	428
A 90 3	P180	48	51.8	14	350	300	250	23	18	6	825	429
A 90 3	P200	55	59.3	16	400	350	300	—	M16x25	7	850	436
A 90 3	P225	60	64.4	18	450	400	350	30	18	6	895.5	472
A 90 3	P250	65	69.4	18	550	500	450	30	18	6	925.5	475
A 90 4	P63	11	12.8	4	140	115	95	—	M8x19	4	786.5	411
A 90 4	P71	14	16.3	5	160	130	110	—	M8x16	4.5	786.5	412
A 90 4	P80	19	21.8	6	200	165	130	—	M10x12	4	806	413
A 90 4	P90	24	27.3	8	200	165	130	—	M10x12	4	806	413
A 90 4	P100	28	31.3	8	250	215	180	—	M12x16	4.5	816	415
A 90 4	P112	28	31.3	8	250	215	180	—	M12x16	4.5	816	415
A 90 4	P132	38	41.3	10	300	265	230	16	14	5	852.5	423
A 90 4	P160	42	45.3	12	350	300	250	23	18	5.5	903	434
A 90 4	P180	48	51.8	14	350	300	250	23	18	5.5	903	434

A 90...HS

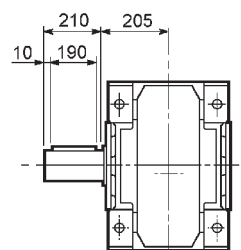
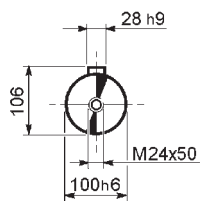


		A	B	E	F	F1	F2	F3	F4	V	Kg
A 90 3	HS	1009	644	140	60	64	18	10	120	M16x36	465
A 90 4	HS	875.5	600.5	50	24	27	8	2.5	45	M8x19	415

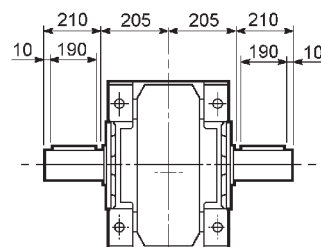
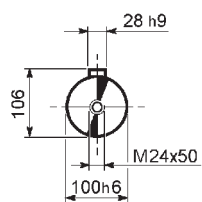


A 90

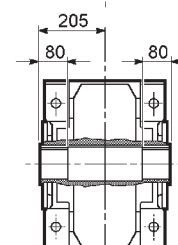
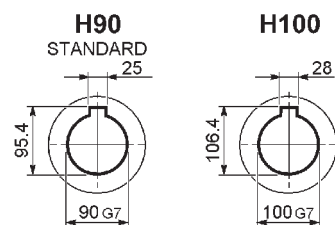
A 90...UR



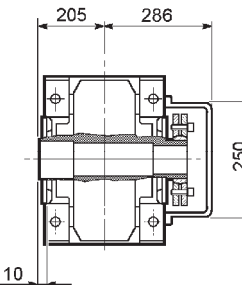
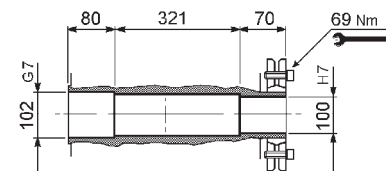
A 90...UD



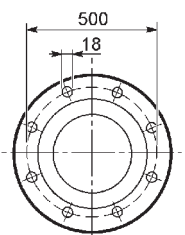
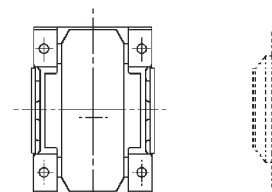
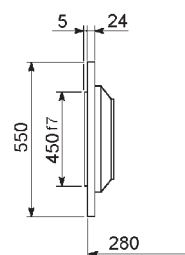
A 90...UH



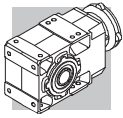
A 90...US



A 90...F...



A

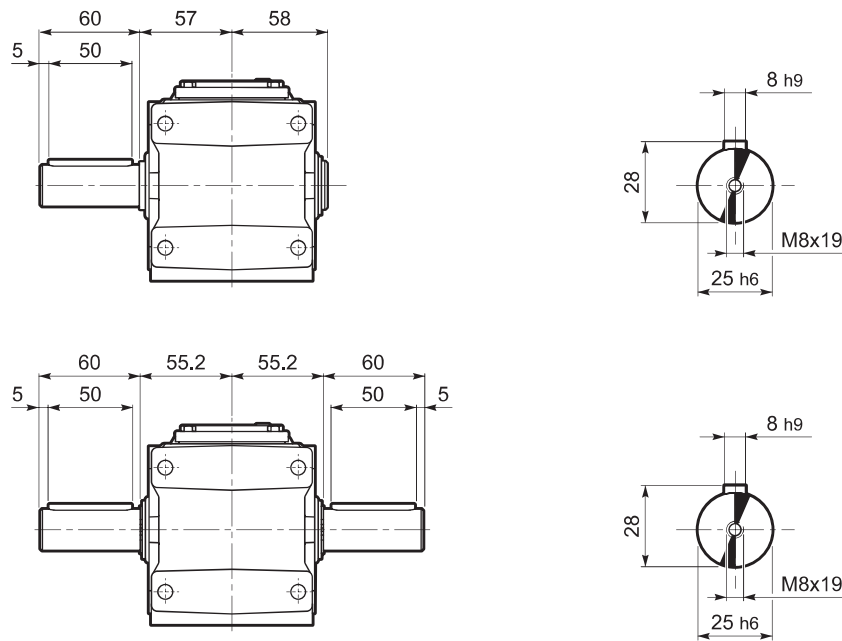


46 ACCESORIOS

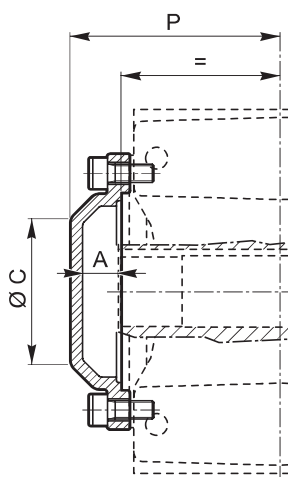
46.1 Eje de salida extraíble A05

Para el reductor A 05 está disponible un Kit eje de salida que contiene: eje, anillo elástico, arandela y chaveta, ya sea en ejecución monolateral (**Kit eje de salida simple A 05**) o bilateral (**Kit eje de salida doble A 05**).

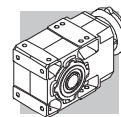
El eje se puede montar en ambos lados del reductor y no se requiere ninguna herramienta especial.



46.2 Tapa de seguridad

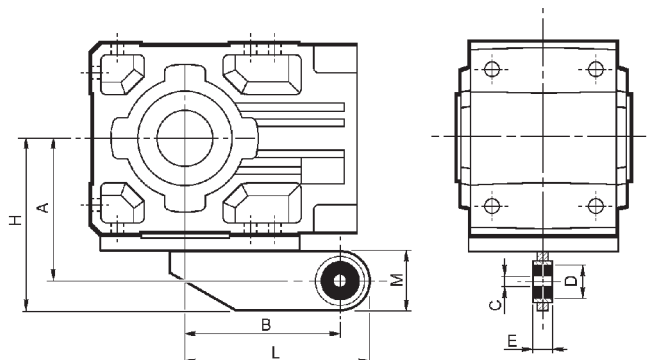


	A	Ø C	P
A 05	17.5	36	73.5
A 10	20.5	60	84.5
A 20	20	75	94
A 30	20	75	104
A 35	19.5	80	114
A 41	21	110	120
A 50	26	100	148.5
A 55	27	100	149
A 60	25	100	158
A 70	33.5	120	193.5
A 80	38	140	228
A 90	43	152	258

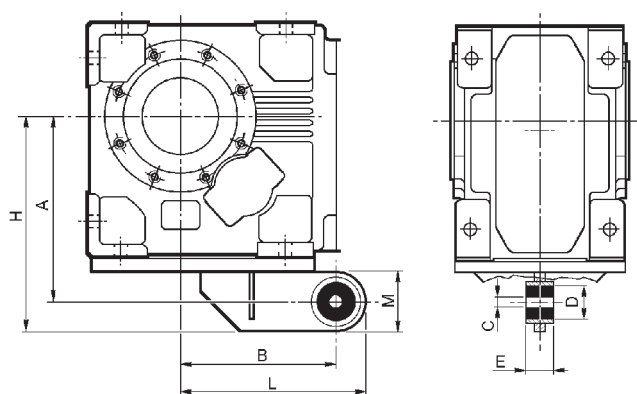


46.3 Brazo de reacción

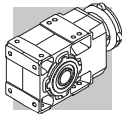
El brazo de reacción se suministra con los tornillos para su fijación al reductor.



	A	B	C	D	E	H	L	M
A 05	90.5	80	10	30	20	115.5	105	50
A 10	108	118	10	30	20	138	148	60
A 20	118	137	10	30	20	148	167	60
A 30	135	150	20	40	25	170	185	70
A 35	145	165	20	40	25	180	200	70
A 41	157	200	20	40	25	192	235	70
A 50	200	250	32	56	40	245	295	90
A 55	200	250	32	56	40	245	295	90
A 60	225	300	32	56	40	270	345	90



	A	B	C	D	E	H	L	M
A 70	289	250	32	56	40	334	295	90
A 80	357	300	42	78	60	422	365	130
A 90	410	350	42	78	60	475	415	130

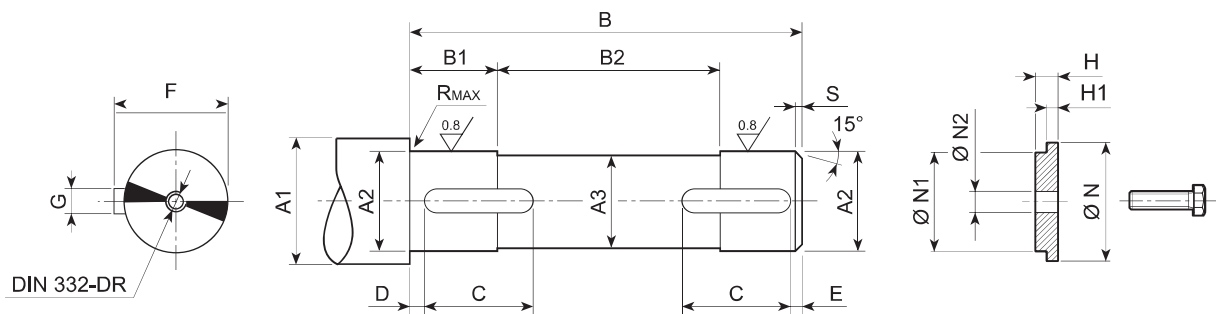




47 EJE MAQUINA

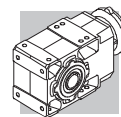
En la construcción del eje de la máquina que ha de acoplarse al reductor se aconseja utilizar acero de buena calidad y efectuar la mecanización como se indica en el esquema siguiente.

Aconsejamos, además, completar que asegure la fijación axial del eje (no diseñado). La cantidad y dimensiones del/de lo/s taladro/s roscado/s en la extremidad del eje se determinará/ n según las diversas exigencias de la aplicación.

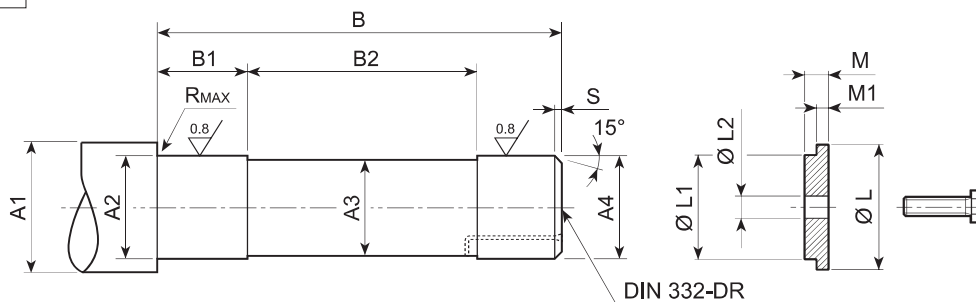
UH




	A1	A2	A3	B	B1	B2	C	D	E	F	G	R	S		N	N1	N2	H	H1	
A05 UH25	≥ 30	25 h7	24	102	21	62	20	2	2	28	8 h9	0.5	1.5	8x7x20 A	35	25 d9	9	7	5.5	M8x25
A10 UH30	≥ 35	30 h7	29	118	16	87	20	2	2	33	8 h9	0.5	1.5	8x7x20 A	35	30 d9	11	8.5	7	M10x30
A10 UH25	≥ 30	25 h7	24	118	16	87	20	2	2	28	8 h9	0.5	1.5	8x7x20 A	30÷35	25 d9	9	7	5.5	M8x25
A20 UH35	≥ 42	35 h7	34	138	20	98	20	2	2	38	10 h9	0.5	1.5	10x8x20 A	42	35 d9	11	8.5	7	M10x30
A20 UH30	≥ 35	30 h7	29	138	20	98	25	2	2	33	8 h9	0.5	1.5	8x7x25 A	35÷42	30 d9	11	8.5	7	M10x30
A30 UH40	≥ 47	40 h7	39	158	23	112	30	2	2	43	12 h9	0.5	1.5	12x8x30 A	47	40 d9	14	8.5	7	M12x35
A30 UH35	≥ 42	35 h7	34	158	23	112	30	2	2	38	10 h9	0.5	1.5	10x8x30 A	42÷47	35 d9	11	8.5	7	M10x30
A35 UH40	≥ 47	40 h7	39	175	33	109	40	2	2	43	12 h9	1	1.5	12x8x40 A	47	40 d9	14	8.5	7	M12x35
A35 UH35	≥ 42	35 h7	34	175	33	109	40	2	2	38	10 h9	1	1.5	10x8x40 A	42÷47	35 d9	11	8.5	7	M10x30
A41 UH45	≥ 52	45 h7	44	184	28	128	45	2.5	2.5	49.5	14 h9	1	2	14x9x45 A	52	45 d9	14	8.5	7	M12x35
A41 UH40	≥ 47	40 h7	39	184	28	128	50	2.5	2.5	43	12 h9	1	2	12x8x50 A	47÷52	40 d9	14	8.5	7	M12x35
A50 UH55	≥ 63	55 h7	54	226	37.5	151	55	2.5	2.5	59	16 h9	1	2	16x10x55 A	63	55 d9	22	10	8	M20x50
A50 UH50	≥ 57	50 h7	49	226	37.5	151	65	2.5	2.5	53.5	14 h9	1	2	14x9x65 A	57÷63	50 d9	18	10	8	M16x45
A55 UH60	≥ 70	60 h7	59	226	37.5	151	65	2.5	2.5	64	18 h9	2	2	18x11x65 A	70	60 d9	22	10	8	M20x50
A55 UH50	≥ 60	50 h7	49	226	37.5	151	75	2.5	2.5	53.5	14 h9	2	2	14x9x75 A	60÷70	50 d9	18	10	8	M16x45
A60 UH70	≥ 78	70 h7	69	248	48	152	70	2.5	2.5	74.5	20 h9	2.5	2	20x12x70 A	78	70 d9	22	10	8.5	M20x50
A60 UH60	≥ 68	60 h7	59	248	48	152	80	2.5	2.5	64	18 h9	2.5	2	18x11x80 A	68÷78	60 d9	22	10	8.5	M20x50
A70 UH80	≥ 89	80 h7	79	303	58	187	90	3	3	85	22 h9	2.5	2.5	22x14x90 A	89	80 d9	22	10	8.5	M20x50
A70 UH70	≥ 78	70 h7	69	303	58	187	110	3	3	74.5	20 h9	2.5	2.5	20x12x110 A	78÷89	70 d9	22	10	8.5	M20x50
A80 UH90	≥ 99	90 h7	89	358	78	202	120	3	3	95	25 h9	2.5	2.5	25x14x120 A	99	90 d9	26	22	20.5	M24x70
A80 UH80	≥ 89	80 h7	79	358	78	202	130	3	3	85	22 h9	2.5	2.5	22x14x130 A	89÷99	80 d9	22	10	8.5	M20x50
A90 UH100	≥ 111	100 h7	99	408	78	252	160	3	3	106	28 h9	2.5	2.5	28x16x160 A	111	100 d9	26	22	20.5	M24x70
A90 UH90	≥ 99	90 h7	89	408	78	252	190	3	3	95	25 h9	2.5	2.5	25x14x190 A	99÷111	90 d9	26	22	20.5	M24x70

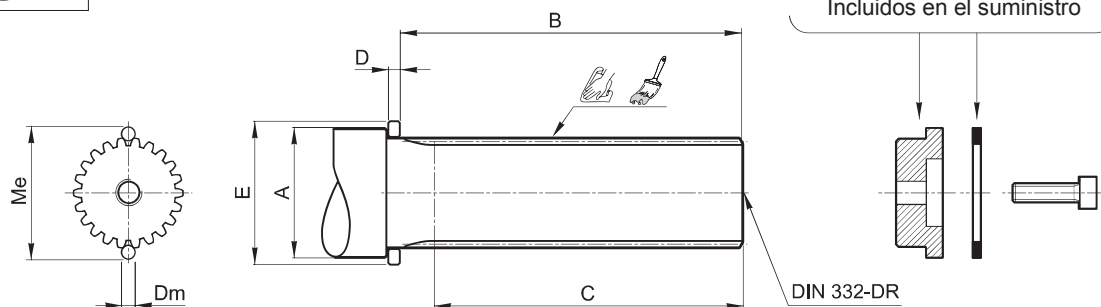




US

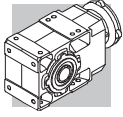


	A1	A2	A3	A4	B	B1	B2	R	S	L	L1	L2	M	M1	
															UNI 5739
A 05	≥ 35	27 h7	24	25 h6	129.5	32	63.5	0.5	1.5	29.5	25 d9	11	8.5	7	M10x30
A 10	≥ 42	32 h7	29	30 h6	147.5	34	77.5	0.5	1.5	35.5	30 d9	11	8.5	7	M10x30
A 20	≥ 48	37 h7	34	35 h6	170	40	89	0.5	1.5	43	35 d9	14	8.5	7	M12x35
A 30	≥ 54	42 h7	39	40 h6	191.5	48	95.5	0.5	1.5	49	40 d9	18	10	8.5	M16x45
A 35	≥ 54	42 h7	39	40 h6	208.5	48	112.5	0.5	1.5	49	40 d9	18	10	8.5	M16x45
A 41	≥ 60	47 h7	44	45 h6	222	53	117	1	2	54	45 d9	18	10	8.5	M16x45
A 50	≥ 72	57 h7	54	55 g6	264	46	156	1	2	72	55 d9	22	10	8.5	M20x50
A 55	≥ 72	62 h7	59	60 g6	266	46	158	2.5	2	72	60 d9	22	10	8.5	M20x50
A 60	≥ 90	72 h7	69	70 g6	293	48	178	2.5	2.5	85	70 d9	22	10	8.5	M20x50
A 70	≥ 104	82 h7	79	80 g6	352.5	90	172.5	2.5	2.5	95	80 d9	22	10	8.5	M20x50
A 80	≥ 114	92 h7	89	90 g6	416	100	216	2.5	2.5	105	90 d9	26	22	20.5	M24x70
A 90	≥ 126	102 h7	99	100 g6	469	78	321	2.5	2.5	120	100 d9	26	22	20.5	M24x70

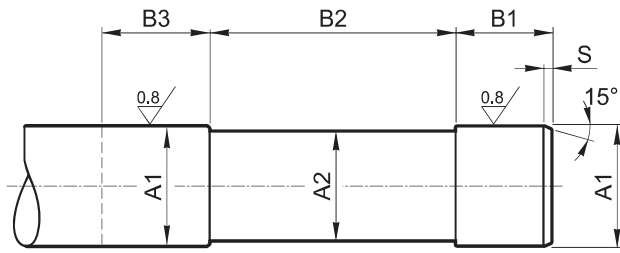
UV



		Me	Dm	A	B	C	D	E	
	DIN 5480								ISO 4762
A 20	30x1.25x30x22	33.04 +0/-0.04	2.75	≥ 40	111.5	≥ 95	7	45	M10x35
A 30	35x2x30x16	38.93 +0/-0.04	4	≥ 45	130.5	≥ 112	7	50	M12x40
A 35	35x2x30x16	38.93 +0/-0.04	4	≥ 45	147.5	≥ 129	7	50	M12x40
A 41	45x2x30x21	48.86 +0/-0.04	4	≥ 55	155.5	≥ 136	7	60	M16x45
A 50	50x2x30x24	54.14 +0/-0.05	4	≥ 60	196	≥ 175	7	65	M16x45
A 55	50x2x30x24	54.14 +0/-0.05	4	≥ 60	196	≥ 175	7	65	M16x45
A 60	65x2x30x31	68.97 +0 /-0.05	4	≥ 75	213.5	≥ 191	7	80	M20x55



QF



		A1	A2	B1	B2	B3	S
A 10	QF25	25 h6	24	41	95	≥ 50	1.5
	QF30	30 h6	29				
A 20	QF25	25 h6	24	41	115	≥ 50	1.5
	QF30	30 h6	29				
A 30	QF35	35 h6	34	45	130	≥ 54	1.5
	QF40	40 h6	39				
A 35	QF35	35 h6	34	45	146.5	≥ 54	1.5
	QF40	40 h6	39				
A 41	QF40	40 h6	39	47	151.5	≥ 56	2
	QF45	45 h6	44				
A 50	QF50	50 h6	49	48	197	≥ 57	2
	QF55	55 h6	54				
A 55	QF55	55 h6	54	50	190	≥ 59	2
	QF60	60 h6	59				
A 60	QF60	60 h6	59	57	203	≥ 66	2.5
	QF65	65 h6	64				
	QF70	70 h6	69				